

Secotom-6

Instruction Manual

Original Instructions



CE

Doc. no.: 16857027-08_C_en
Date of release: 2024.11.04

Copyright

The contents of this manual are the property of Struers ApS. Reproduction of any part of this manual without the written permission of Struers ApS is not allowed.

All rights reserved. © Struers ApS.

Table of Contents

1 About this manual	6
1.1 Struers knowledge	6
1.2 Accessories and consumables	6
2 Safety	7
2.1 Intended use	7
2.2 Secotom-6 safety precautions	7
2.2.1 Read carefully before use	7
2.3 Safety messages	8
2.4 Safety messages in this manual	9
3 Get started	11
3.1 Device description	11
3.2 Overview	12
3.3 Emergency stop	15
3.4 Safety lock	15
4 Transport and storage	16
4.1 Transport	16
4.2 Long-term storage or shipping	18
5 Installation	18
5.1 Unpack the machine	18
5.2 Check the packing list	19
5.3 Location	19
5.4 Lift the machine	20
5.5 Power supply	21
5.5.1 Single-phase supply	22
5.5.2 2-phase supply	22
5.5.3 Connection to the machine	22
5.6 Recirculation unit	22
5.6.1 Water sensitive materials	23
5.6.2 Optimize cooling	24
5.7 Mount the cut-off wheel	24
5.8 Exhaust system (optional)	26
5.9 Noise	27
5.10 Vibration	28

6 Prepare for operation	28
6.1 Cutting table	28
6.1.1 Position the cutting table	29
6.2 Clamping tools	29
6.3 Debris collection	30
7 Basic operation	30
7.1 Control panel functions	31
7.2 The display	33
7.3 Change the settings	33
7.4 Main menu	34
7.5 Start-up - the first time	34
7.6 Cutting methods	36
7.6.1 Settings	36
7.6.2 Return position	37
7.7 Starting the cutting process	38
7.8 Stopping the cutting process	38
7.9 Flushing hose	38
8 The Maintenance menu	39
8.1 The menu	40
9 Configuration menu	41
10 Maintenance and service	42
10.1 General cleaning	43
10.2 Clamping devices	43
10.3 Cutting tables	43
10.4 Cut-off wheels	44
10.5 Change the tubes	45
10.6 Daily	47
10.7 Weekly	49
10.7.1 Clean the cutting chamber	49
10.7.2 Check the coolant tank	49
10.7.3 Tube for water-free coolant	50
10.8 Monthly	50
10.8.1 Clean the coolant tank	50
10.9 Annually	52
10.9.1 The guard	52
10.9.2 Test the safety devices	52
10.10 Spare parts	54
10.11 Service and repair	55
10.12 Disposal	56

11 Troubleshooting	56
11.1 Machine problems	56
11.2 Cutting problems	57
11.3 Error messages	59
12 Technical data	63
12.1 Technical data	63
12.2 Safety Circuit Categories/Performance Level	65
12.3 Technical data - equipment units	66
12.4 Safety Related Parts of the Control System (SRP/CS)	66
12.5 Diagrams	67
12.6 Legal and regulatory information	70
13 Manufacturer	70
Declaration of Conformity	71

1 About this manual

**CAUTION**

Struers equipment must only be used in connection with and as described in the Instruction Manual supplied with the equipment.

**Note**

Read the Instruction Manual carefully before use.

**Note**

If you want to view specific information in detail, see the online version of this manual.

1.1 Struers knowledge

Materialographic cutting is where most micro-structure analysis begins.

A good understanding of the cutting process can help in selecting suitable clamping and cutting methods and thereby ensure the high-quality cut.

Minimizing cutting artifacts will help the remaining materialographic process and act as a good base for efficient and high-quality preparation.

**Hint**

For further information, see the section on Cutting on the [Struers website](#).

1.2 Accessories and consumables

Accessories

For information about the available range, see the Secotom-6 brochure:

- [The Struers Website](http://www.struers.com) (<http://www.struers.com>)

Consumables

The machine is designed to be used only with Struers consumables specifically designed for this purpose and this type of machine.

Other products may contain aggressive solvents, which dissolve e.g. rubber seals. The warranty may not cover damaged machine parts (e.g. seals and tubes), where the damage can be directly related to the use of consumables not supplied by Struers.

For information about the available range, see: [The Struers Website](http://www.struers.com) (<http://www.struers.com>).

2 Safety

2.1 Intended use

The machine is for professional, automatic materialographic cutting of materials for further materialographic inspection.

The machine must be operated only by skilled/trained personnel.

The machine is designed to be used only with Struers consumables specifically designed for this purpose and this type of machine.

The machine is for use in a professional working environment (e.g. a materialographic laboratory).

Do not use the machine for the following

Cutting of materials other than solid materials suitable for materialographic studies.

The machine must not be used for any type of explosive and/or flammable material, or materials which are not stable during machining, heating or pressure.

The machine must not be used with cut-off wheels which are not compatible with the machine requirements (e.g. toothed cut-off wheels).

Model

Secotom-6

2.2 Secotom-6 safety precautions

2.2.1



Read carefully before use

1. Ignoring this information and mishandling of the equipment can lead to severe bodily injuries and material damage.
2. The machine must be installed in compliance with local safety regulations. All functions on the machine and any connected equipment must be in working order.
3. The operator must read the safety precautions and Instruction Manual, as well as relevant sections of the manuals for any connected equipment and accessories. The operator must read the Instruction Manual and, where applicable, the Safety Data Sheets for the applied consumables.
4. This machine must be operated and maintained only by skilled/trained personnel.
5. Always use intact cut-off wheels that have been approved for a minimum of: 3000 rpm.
6. The machine must be placed on a safe and stable table with an adequate working height. The table must be able to carry the machine and supplementary accessories and consumables.
7. Make sure that the actual electrical power supply voltage corresponds to the voltage stated on the name plate of the machine. The machine must be earthed (grounded).

- Always follow local regulations. Always switch off the electrical power supply and remove the plug or power cable before dismantling the machine or installing additional components.
8. Consumables: only use consumables specifically developed for use with this type of materialographic machine.
 9. Observe the current safety regulations regarding handling, mixing, filling, emptying, and disposing of cooling fluids with additives. Avoid skin contact.
 10. Pay attention to the protruding safety catch when the guard is raised.
 11. The workpiece must be securely fixed in a clamping device or similar.
 12. Wear suitable gloves to protect fingers from abrasives and warm/sharp specimens.
 13. Wear safety goggles when using the flushing hose. Only use the flushing hose for cleaning inside the cutting chamber.
 14. If you observe malfunctions or hear unusual noises, switch off the machine and call technical service.
 15. The machine must be disconnected from the electrical power supply before any service. Wait 15 minutes until residual potential on the capacitors is discharged.
 16. Do not switch the machine on and off more than once every three minutes. Damage to the electrical components could occur.
 17. In case of fire, alert bystanders and the fire brigade. Use a powder fire extinguisher. Do not use water.

2.3 Safety messages

Struers uses the following signs to indicate potential hazards.



ELECTRICAL HAZARD

This sign indicates an electrical hazard which, if not avoided, will result in death or serious injury.



DANGER

This sign indicates a hazard with a high level of risk which, if not avoided, will result in death or serious injury.



WARNING

This sign indicates a hazard with a medium level of risk which, if not avoided, could result in death or serious injury.



CRUSHING HAZARD

This sign indicates a crushing hazard which, if not avoided, could result in minor, moderate or serious injury.



HEAT HAZARD

This sign indicates a heat hazard which, if not avoided, can result in minor, moderate or serious injury.

**CAUTION**

This sign indicates a hazard with a low level of risk which, if not avoided, could result in minor or moderate injury.

**Emergency stop**

Emergency stop

General messages**Note**

This sign indicates that there is a risk of damage to property, or a need to proceed with special care.

**Hint**

This sign indicates that additional information and hints are available.

2.4 Safety messages in this manual

**ELECTRICAL HAZARD**

Switch off the electrical power supply before installing electrical equipment. The machine must be earthed (grounded). Make sure that the actual electrical power supply voltage corresponds to the voltage stated on the name plate of the machine. Incorrect voltage can damage the electrical circuit.

**WARNING**

Struers equipment must only be used in connection with and as described in the Instruction Manual supplied with the equipment.

**WARNING**

Replace the guard immediately if it has been weakened by collision with projectile objects or if there are visible signs of deterioration or damage.

**WARNING**

Do not use the machine with defective safety devices. Contact Struers Service.

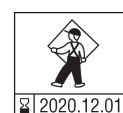
**WARNING**

Safety critical components must be replaced after a maximum lifetime of 20 years. Contact Struers Service.

**WARNING**

To ensure its intended safety, the guard must be replaced every 2 years. A label on the guard indicates when it is due to be replaced.

 **Struers**
Safety glass
Sicherheitsglas
Verre sécurit





WARNING

In case of fire, alert bystanders, the fire brigade and cut power. Use a powder fire extinguisher. Do not use water.



CRUSHING HAZARD

Take care of your fingers when handling the machine.
Wear safety shoes when handling heavy machinery.



CAUTION

Mind the protruding safety catch when the safety guard is raised.



CAUTION

Do not start flushing until the flushing hose is pointing into the cutting chamber.



CAUTION

Read the Safety Data Sheet for the additive for coolant before use.



CAUTION

Avoid skin contact with the coolant additive.
Always wear protective gloves and safety goggles.



CAUTION

Prolonged exposure to loud noises may cause permanent damage to a person's hearing.
Use hearing protection if the exposure to noise exceeds the levels set by local regulations.



CAUTION

Risk of hand to arm vibration during manual preparation.
Prolonged exposure to vibration may cause discomfort, joint damage or even neurological damage.



CAUTION

Wear suitable gloves to protect fingers from abrasives and warm/sharp specimens.



CAUTION

Wear suitable gloves to protect fingers from abrasives and warm/sharp specimens. Coolant can contain swarf (cutting and grinding debris or other particles).

3 Get started

3.1 Device description

Secotom-6 is an automatic cut-off machine for cutting a majority of solid and stable (non-explosive) materials. It has a motorized Y-table, and a recirculation cooling tank. The Y- table unit can only be moved when the guard is closed.

The operator starts the process by selecting and mounting the cut-off wheel. The operator enters the cutting parameters (e.g. cut-off wheel rotation speed and cutting length) in the software of the machine.

The workpiece is secured by using clamping tools – either directly to the cutting table or to a stand which is clamped on the cutting table.

The guard locks when the operator starts the machine. The guard remains locked until all movement is stopped and the cutting table is in the selected stop position.

The specimens may be hot after the process and it is therefore recommended to wear gloves when handling the processed specimens.

The recirculated cooling fluid contains additives and debris from the cutting process. It is recommended to wear goggles and gloves when handling the cooling fluid.

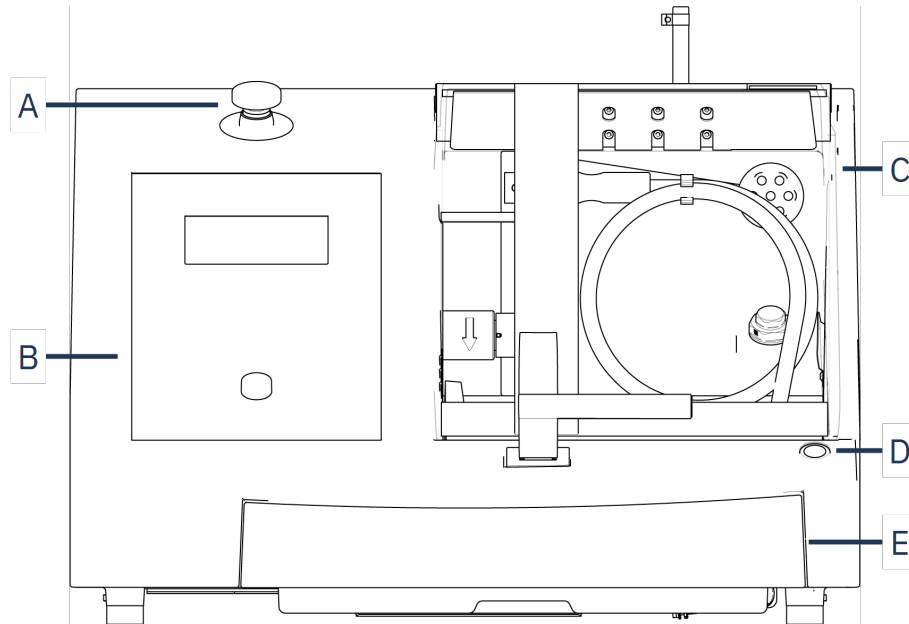
It is recommended to connect the machine to an external exhaust system to remove fumes from the cutting process.

In case of power-loss during the process, the guard remains locked. Use the special key to release the lock and open the guard.

If the emergency stop is activated, the power to all moving parts is cut. The guard can be opened when the emergency stop is released.

3.2 Overview

Front view



A Emergency stop

B Front panel

C Safety guard

D Hold-to-run button

E Coolant tank

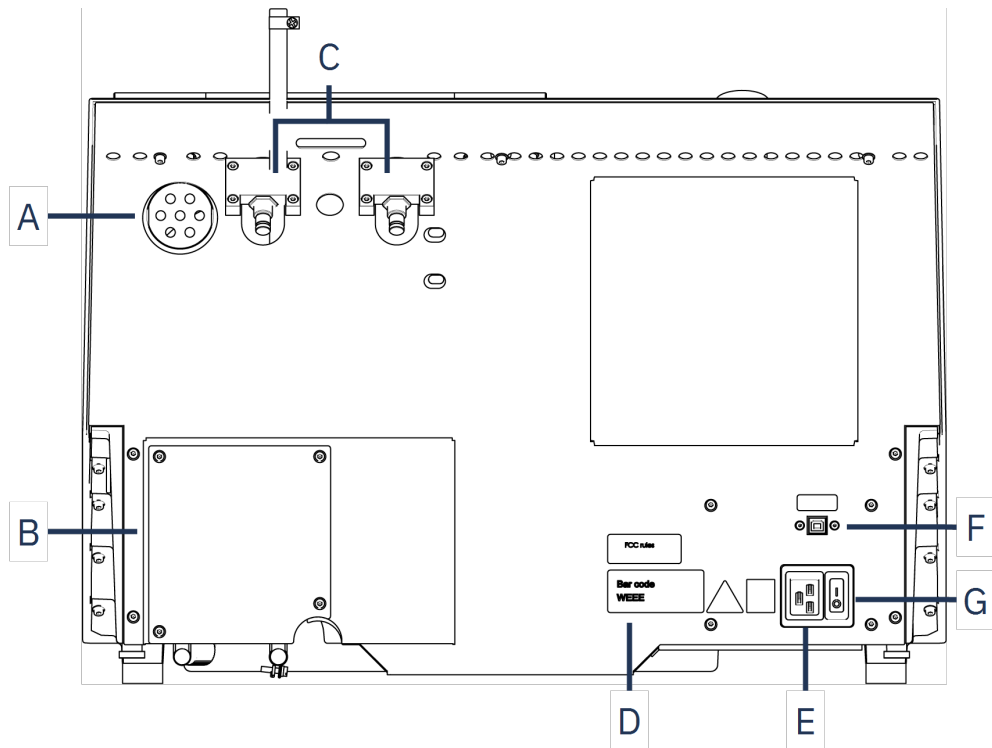


Emergency stop

The emergency stop button is located on the front of the machine.

- Push the red button to activate.
- Turn the red button clockwise to release.

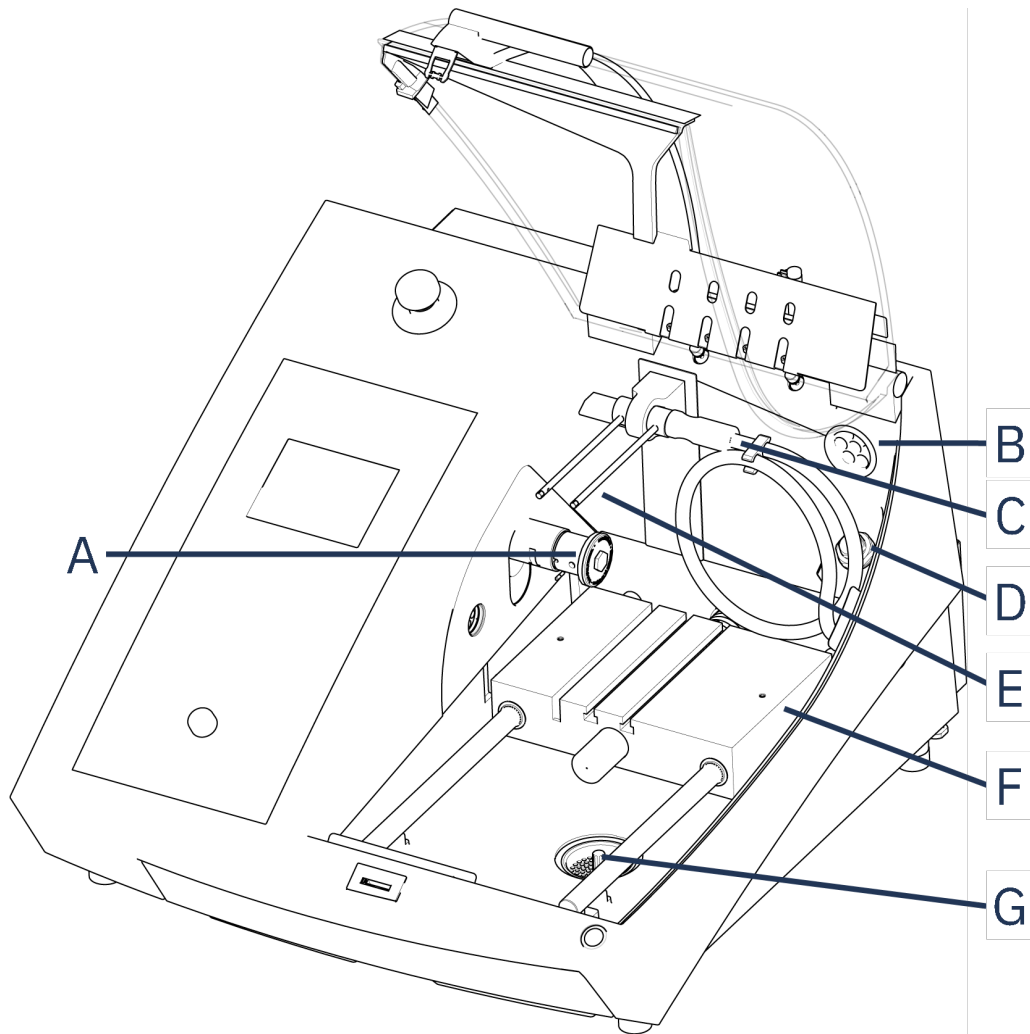
Rear view



- A** Exhaust flange
- B** Pump cover
- C** Hinges
- D** Name plate

- E** Power socket
- F** Service socket
- G** Main switch

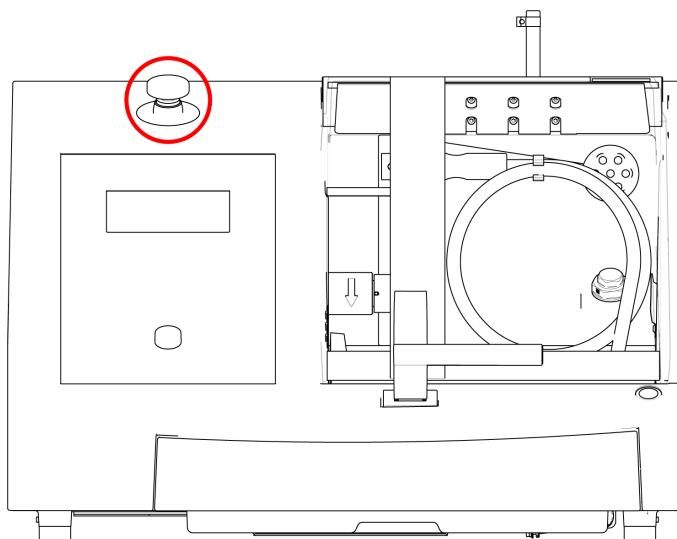
Cutting chamber



- A** Spindle - Cut-off wheel
- B** Exhaust
- C** Flushing hose
- D** Power socket

- E** Coolant nozzles
- F** Cutting table
- G** Drain

3.3 Emergency stop



Emergency stop

Do not use the emergency stop for operational stop of the machine during normal operation.

Before you release the emergency stop, investigate the reason for activating the emergency stop and take any necessary corrective action.

- To activate the emergency stop, press the red emergency stop button.
- To release the emergency stop, turn the red emergency stop button clockwise.

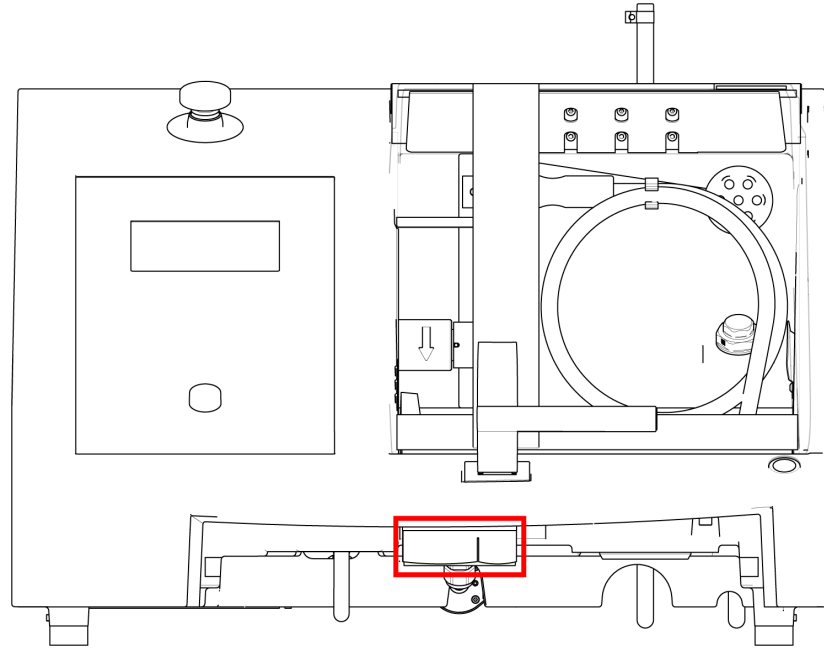
3.4 Safety lock

You can only open the guard on the machine when the machine is connected to the power supply and the main power switch is on.

To open the guard if the power is not connected

Use the triangle key supplied to deactivate the safety lock.

1. Remove the coolant tank.



2. Insert the key.
3. Turn the key 180°. Do not use force.
4. Re-activate the safety lock release before you start operating the machine.

4 Transport and storage

If, at any time after the installation, you have to move the unit or place it in storage, there is a number of guidelines we recommend that you follow.

- Package the unit securely before transportation. Insufficient packaging could cause damage to the unit and will void the warranty. Contact Struers Service.
- We recommend that you use the original packaging and fittings.

4.1 Transport



CRUSHING HAZARD

Take care of your fingers when handling the machine.
Wear safety shoes when handling heavy machinery.



Note

We recommend that you keep all original packaging and fittings for future use.

Preparing for transport

1. Empty the coolant tank.

2. Disconnect the unit from the electrical power supply.
3. Disconnect the unit from the exhaust system.
4. Remove any accessories.
5. Clean and dry the unit.

Moving the machine

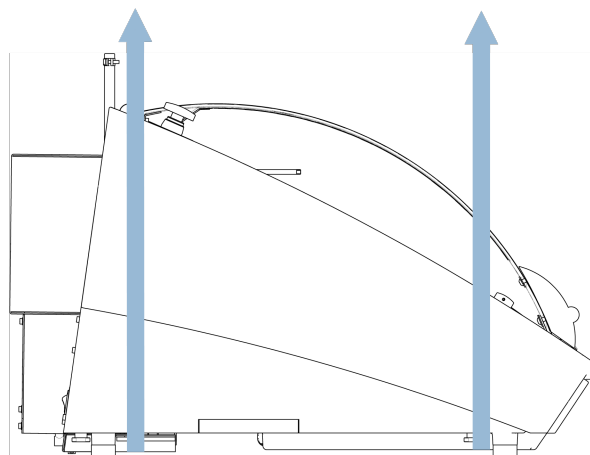
**Note**

Always lift the machine from beneath.
Do not lift the machine by holding it by the gray cabinet.

- Use a crane and two lifting straps to lift the machine. The lifting straps must be approved for lifting at least twice the weight of the load.
- Use straps of approx. 3 - 3.5 m (10 - 11.5 ft) in length so that they do not place stress on the guard.
- A lifting bar is recommended so that the two straps are kept apart below the lifting point.
- Use screwdrivers/bits: TX30, PH2 and H4

Procedure

1. Remove the coolant tank.



2. Position the straps under the machine, so that they are on the inside of the feet.
3. Make sure that the tension on the lifting straps is distributed evenly.
4. Lift the front of the machine and carefully move it onto the table.
5. The machine must rest securely with all 4 feet on the table.
6. Put the cooling tank back in place.

At the new location

- At the new location, make sure that the facilities required are in place.
- Lift the machine onto a stable surface.
- Put the cooling tank back in place.
- Install the unit.

4.2 Long-term storage or shipping



Note

We recommend that you keep all original packaging and fittings for future use. Clean the machine and all accessories thoroughly.

If the machine is bound for long-time storage or shipping, follow these steps:

1. Clean and dry the machine.
2. Place the machine on the blocks on the original pallet.
3. Use the original transport brackets to secure the machine.
4. Wrap the machine in plastic wrap.
5. Build a crate around the machine.
6. Wrap and place accessories and other loose items in the crate.
7. Place a bag of desiccant (silica gel) in the box.

At the new location

- At the new location, make sure that the facilities required are in place.

5 Installation

5.1 Unpack the machine



CRUSHING HAZARD

Take care of your fingers when handling the machine. Wear safety shoes when handling heavy machinery.



Note

We recommend that you keep all original packaging and fittings for future use.

Procedure

1. Remove the screws around the base of the packing crate and lift off the upper part of the crate.

2. Use a 4 mm Allen key to remove the screws in the metal brackets that secure the machine to the pallet.
3. Remove the coolant tank.
4. Remove any loose parts and accessories.
5. Lift the machine. See [Lift the machine ▶ 20](#).

5.2 Check the packing list

Optional accessories may be included in the packing box.

The packing box contains the following items:

Pcs.	Description
1	Secotom-6
2	Electrical power supply cables
1	Triangle key for safety lock release
1	Support pin
1	Socket spanner. 17 mm (0.7")
1	Hose for connection to exhaust. Diameter: 51 mm (2"). Length: 1.5 m (59")
1	Hose clamp. Diameter: 40 - 60 mm (1.6" - 2.4")
1	Instruction Manual set

5.3 Location



CRUSHING HAZARD

Take care of your fingers when handling the machine.
Wear safety shoes when handling heavy machinery.

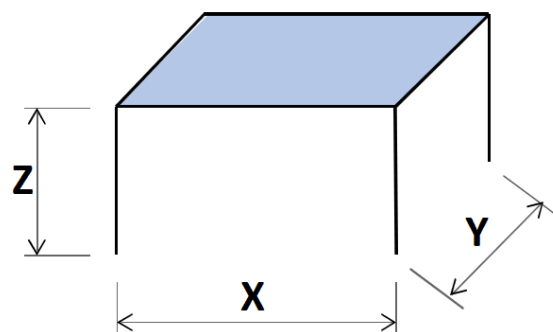
- The machine must be placed on a safe and stable table with an adequate working height. The table must be able to carry at least the weight of the machine and the accessories.

Recommended workbench dimensions

X: 92 cm (36.2")

Y: 90 cm (35.4")

Z: 80 cm (31.5")



- The machine must be placed close to the electrical power supply.


- The machine must be placed in a well-ventilated room or connected to an exhaust system.
- The machine must rest securely with all 4 feet on the table.
- The machine must be completely level: tolerance ± 1 mm.
- Make sure that there is sufficient space around the machine for service access.
- Make sure that there is enough room in front of the machine: 100 cm (40").
- Make sure that there is enough room behind the machine to fully open the cover.
- Make sure that there is enough room behind the machine for the exhaust hose: approx. 15 cm (5.9").


Illumination


- Make sure that the work station has adequate lighting. Avoid direct glare (dazzling light sources within the operator's line of vision) and reflected glare (reflections of light sources). A minimum of 300 Lumen is recommended to illuminate the controls and other work areas.

Ambient conditions		
Operating environment	Surrounding temperature	Operation: 5-40°C (40-105°F) Storage: 0-60°C (32-140°F)
	Humidity	Operation: 35-85% RH non-condensing Storage: 0-90% RH non-condensing

5.4 Lift the machine

 **CRUSHING HAZARD**
Take care of your fingers when handling the machine.
Wear safety shoes when handling heavy machinery.

 **Note**
We recommend that you keep all original packaging and fittings for future use.

 **Note**
Do not lift the machine by the light gray top part.
Always lift the machine from beneath.

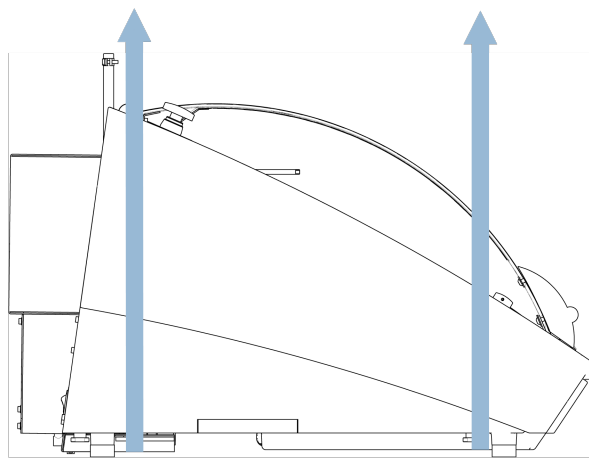
Weight	
Secotom-6	67 kg (148 lbs)

- Use a crane and two lifting straps to lift the machine. The lifting straps must be approved for lifting at least twice the weight of the load.

- Use straps of approx. 3 - 3.5 m (10 - 11.5 ft) in length so that they do not place stress on the guard.
- A lifting bar is recommended so that the two straps are kept apart below the lifting point.
- Use screwdrivers/bits: TX30, PH2 and H4

Procedure

1. Remove the coolant tank.



2. Position the straps under the machine, so that they are on the inside of the feet.
3. Make sure that the tension on the lifting straps is distributed evenly.
4. Lift the front of the machine and carefully move it onto the table.
5. The machine must rest securely with all 4 feet on the table.

5.5 Power supply



ELECTRICAL HAZARD

Switch off the electrical power supply before installing electrical equipment. The machine must be earthed (grounded). Make sure that the actual electrical power supply voltage corresponds to the voltage stated on the name plate of the machine. Incorrect voltage can damage the electrical circuit.



Note

The equipment is shipped with 2 types of electrical power cables. If the plug supplied on these cables is not approved in your country, the plug must be replaced with an approved plug.

Power supply	
Voltage/frequency	200-240 V (50-60 Hz)
Power inlet	1-phase (N+L1+PE) or 2-phase (L1+L2+PE) The electrical installation must comply with Installation Category II
Power, nominal load	0.75 kW
Power, max	1.0 kW
Power, idle	13 W
Current, max.	11.7 A

5.5.1 Single-phase supply

The 2-pin plug (European Schuko) is for use on single-phase electrical power connections.

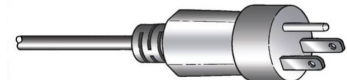


The leads must be connected as follows:

Yellow/Green	Earth (ground)
Brown	Line (live)
Blue	Neutral

5.5.2 2-phase supply

The 3-pin plug (North American NEMA) is for use on 2-phase electrical power connections.



The leads must be connected as follows:

Green	Earth (ground)
Black	Line (live)
White	Line (live)

5.5.3 Connection to the machine

- Connect the electrical power cable to the machine (C19 IEC 320 connector).
- Connect the cable to the electrical power supply.



5.6 Recirculation unit

The machine has a built-in recirculation coolant system. The coolant coming from the nozzles passes over the cut-off wheel and is collected in the drain in the cutting chamber. The coolant

then returns to the tank located under the cutting chamber.



CAUTION

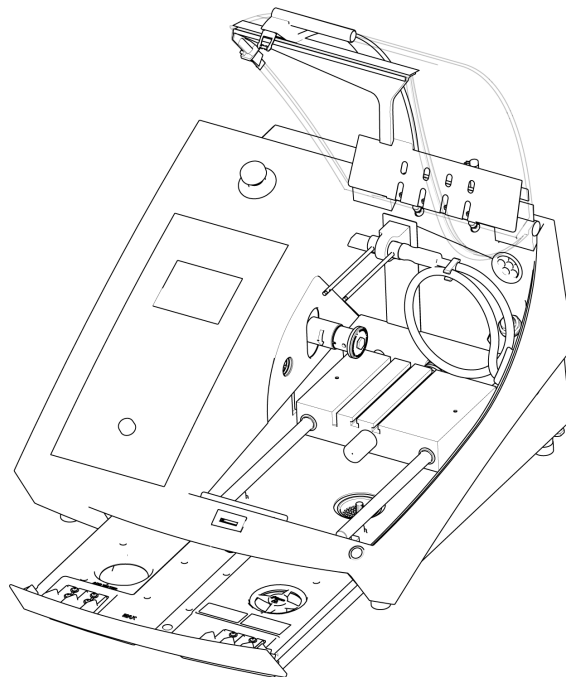
Read the Safety Data Sheet for the coolant additive before use.



CAUTION

Avoid skin contact with the coolant additive.
Always wear protective gloves and safety goggles.

Fill the recirculation tank with coolant



1. Make sure that the coolant tank is in position under the chamber.
2. Fill the tank with water and coolant additive through the hole in the base of the chamber.



Note

Make sure that you do not to overfill the tank.



Note

Make sure to use the coolant additive at the right concentration. Follow the instructions for the cooling fluid additive.
Use a refractometer to check the concentration of coolant additive.

5.6.1 Water sensitive materials



Note

The standard tube only lasts for a few hours, if it is used for water-free coolant.

If you use water-free coolant, replace the standard tube in the coolant pump with a tube for water-free coolant.

To replace the tube in the coolant pump, see [Change the tubes ▶ 45](#).

5.6.2 Optimize cooling



Note

Consumables: only use consumables specifically developed for use with this type of materialographic machine.

- Do not use oil, petrol, or turpentine-based additives, as they can affect the coolant tubes.

Sufficient cooling is essential for ensuring the best cutting quality, and to avoid burning of the workpiece and damage to the cut-off wheel.

- Always use additive to protect the cutting machine from corrosion and to improve cutting and cooling qualities.
- Make sure that there is sufficient fluid in the coolant tank for optimal cooling.
- Make sure that the concentration of additive in the coolant is as stated on the additive container.
- Add coolant additive whenever you refill the coolant tank with water. See [Recirculation unit ▶ 22](#).
- We recommend that you change the coolant at least once a month to prevent the growth of microorganisms.

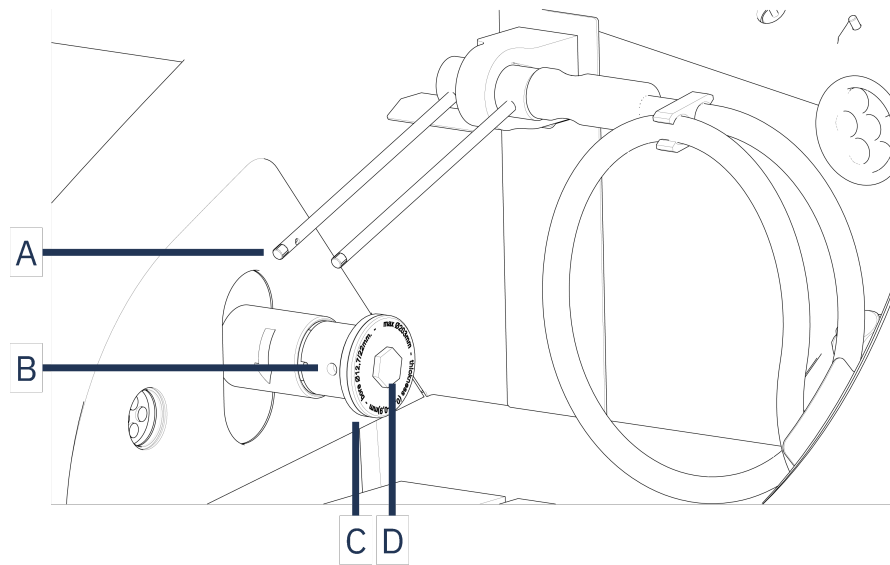
5.7 Mount the cut-off wheel

Procedure



CAUTION

Mind the protruding safety catch when the safety guard is raised.



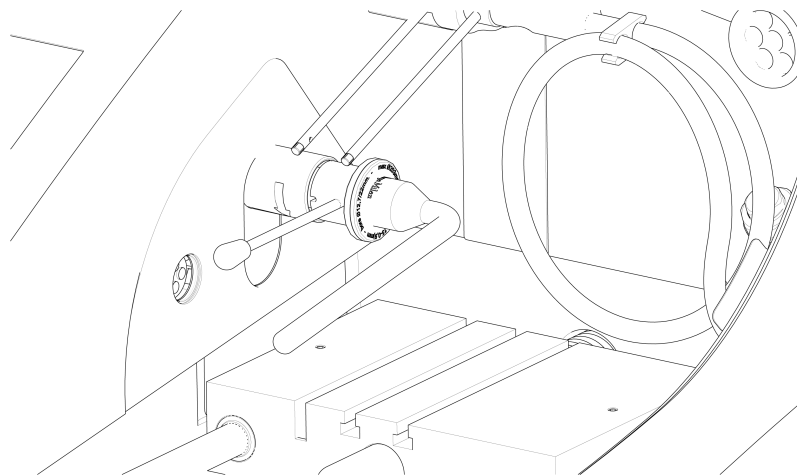
A Cooling fluid nozzles

B Support pin hole

C Outer flange

D Flange screw

1. Lift the guard to its open position (the position where it stays up and open when you release it).
2. Lift the coolant nozzles to gain access to the cut-off wheel assembly.



3. Insert the support pin into the hole in the cut-off wheel spindle.
4. Use the 17 mm socket spanner to loosen the flange screw.
5. Remove the outer flange.

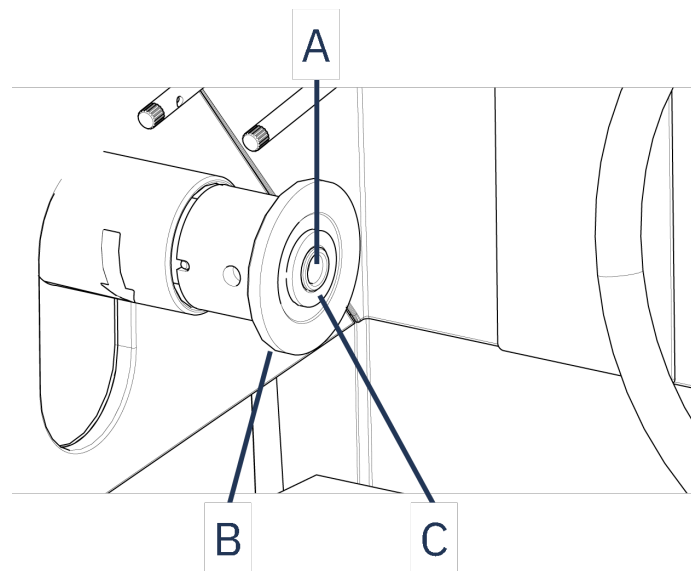
**Note**

The tolerance between the spindle and inner flange is very small which means that the two surfaces must be absolutely clean. Never try to force the cut-off wheel on as this may damage the spindle or the cut-off wheel. If there are any small burrs, remove them with grinding paper, grit size 1200.

**Note**

When you mount cut-off wheels with a 12.7 mm center hole, make sure that you remove the 22 mm arbor insert. If you do not, the cut-off wheel will be pressed out of shape.

6. Before mounting the cut-off wheel, test the cut-off wheel for damages. See [Cut-off wheels](#) ► 44.



A 12.7 mm axle

C Insert for wheels with 22 mm arbor hole

B Inner flange

7. Mount the cut-off wheel. If needed, use the 22 mm insert.
8. Remount the outer flange with the machined surface facing towards the inner flange.
9. Insert the support pin into the hole in the inner flange.
10. Use the 17 mm socket spanner to gently fasten the flange screw. Tighten the screw with a force of maximum 5 N·m (4 lbf·ft).
11. Lower the coolant nozzles to their operating positions.

5.8 Exhaust system (optional)

We recommend that you connect the machine to an exhaust system because workpieces can emit harmful gases when they are being cut.

The machine is prepared for connection to an exhaust system through a 50 mm ventilation flange at the rear of the cabinet.

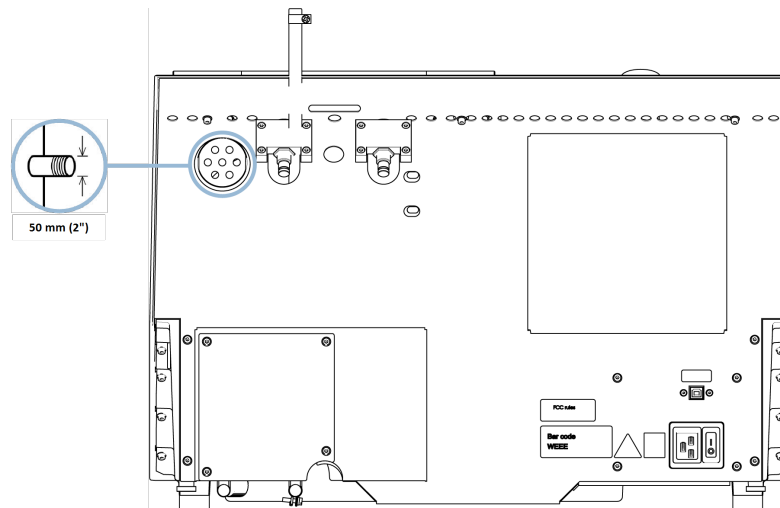
Minimum capacity: 30 m³/h (1,060 ft³/h) at 0 mm (0") water gauge.

Exhaust connection

The machine is delivered with an exhaust hose.

- Length: 1.5 m (4.9').
- Diameter: 50 mm (2").

Procedure



- Mount the exhaust hose from the ventilation flange on the machine to the exhaust system.

5.9 Noise

For information on the sound pressure level value, see this section: [Technical data ▶ 63](#).



CAUTION

Prolonged exposure to loud noises may cause permanent damage to a person's hearing.

Use hearing protection if the exposure to noise exceeds the levels set by local regulations.

Handling noise during operation

Different materials have different noise characteristics.

- To lower the noise, decrease the rotational speed and/or the force with which the workpiece is pressed against the cut-off wheel.

The processing time may increase.

5.10 Vibration

For information on the total vibration exposure to hand and arm, see this section: [Technical data ▶ 63](#).



CAUTION

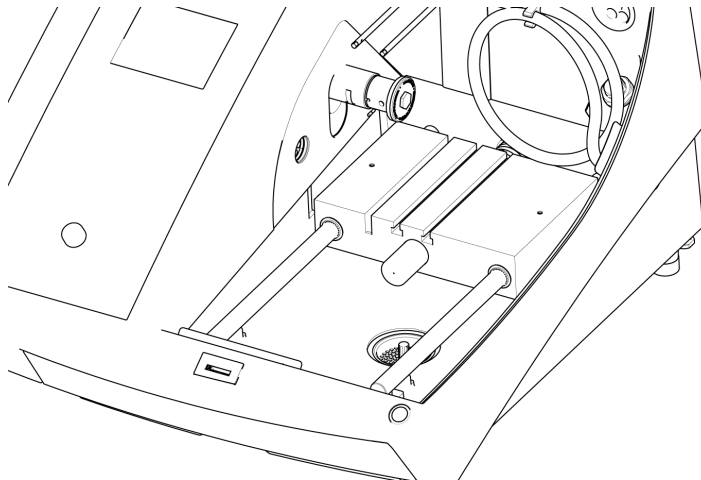
Risk of hand to arm vibration during manual preparation. Prolonged exposure to vibration may cause discomfort, joint damage or even neurological damage.

How to handle vibration during operation

Manual preparation may cause vibrations in hand and arm. To lower the vibration, decrease the pressure or use a vibration-reducing glove.

6 Prepare for operation

6.1 Cutting table



The machine is fitted with a moving cutting table.

- Position 1 mm thick cut-off wheels in the middle of the Y-table cutting groove.
- Position thicker cut-off wheels slightly to the right.
- Position thinner cut-off wheels slightly to the left.

To control the movement of the table, use the Up and Down keys on the control panel and the software. See [Control panel functions ▶ 31](#).

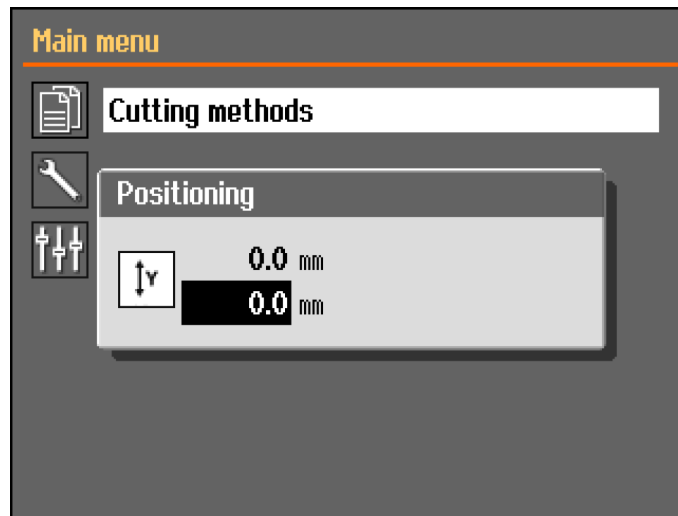
The table has 8 mm T-slots, which are used to secure clamping tools.

Clamping tools are available as accessories.

6.1.1 Position the cutting table

Position the cutting table before you start the cutting process:

- Use the Up and Down keys to position the cutting table.



The **Positioning** menu is displayed when you press Up or Down.

**Note**

The guard must be closed to position the table.

6.2 Clamping tools

A range of clamping tools are available. Some can be mounted directly on the cutting table, others must be fixed on a stand using a dovetail holder.

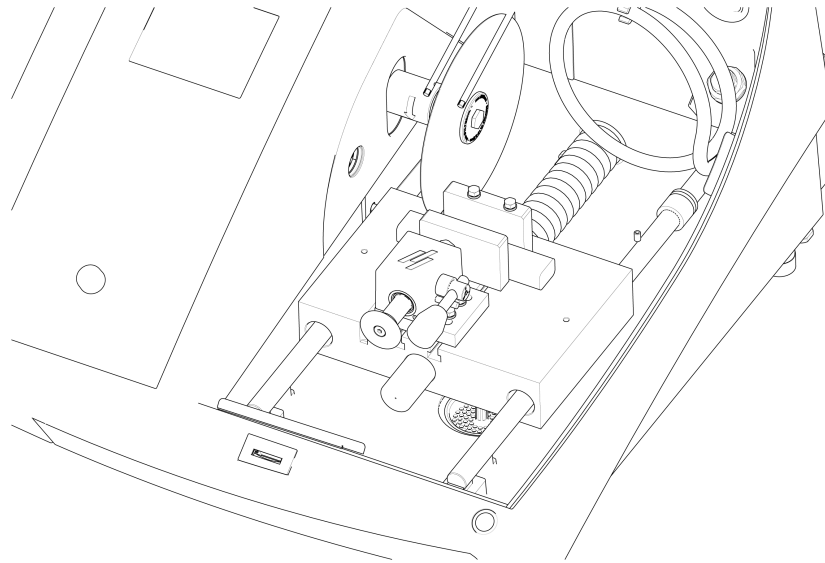
**CAUTION**

Mind the protruding safety catch when the safety guard is raised.

**Note**

When you fit clamping tools, always make sure that they do not block the cut-off wheel. Failure to do so will result in damage to the clamping tools and/or the cut-off wheel.

Quick-clamping and spring clamp devices



1. Position the back stop and the clamping device as shown.
2. Tighten the nuts to secure the back stop and the clamping device.

6.3 Debris collection

The machine has two systems to keep debris from contaminating the coolant and blocking the nozzles:

- A basket in the drain prevents larger pieces of debris from entering the tank.
- A magnet in the tank collects magnetic particles.



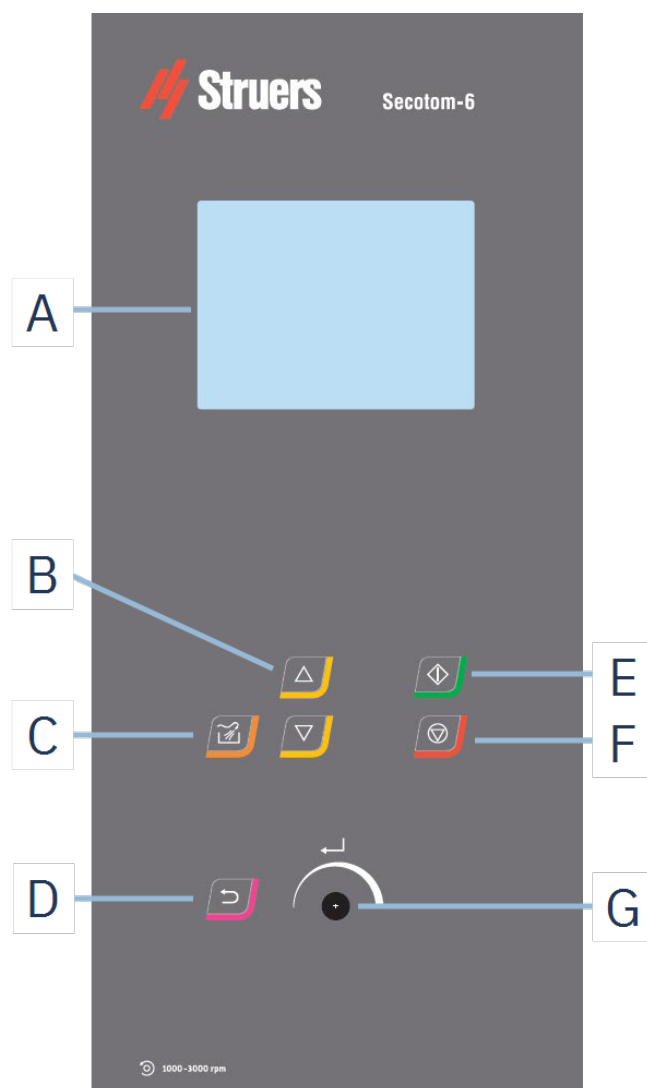
Note

Check the basket and the magnet for cutting debris before you start the cutting process. A blocked drain can result in water overflow and insufficient cooling if the level of coolant in the tank is too low.

7 Basic operation







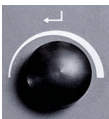
For information on operation of CitoPress, refer to the CitoPress Instruction Manual.

7.1 Control panel functions



A Display
B Up/Down
C Flush
D Back

E Start
F Stop
G Turn/push knob

Button	Function
	<p>Flush</p> <ul style="list-style-type: none"> Starts the flushing operation.
	<p>Up</p> <ul style="list-style-type: none"> Moves the cutting table backwards (in the Y-direction) in steps of 100 µm.
	<p>Down</p> <ul style="list-style-type: none"> Moves the cutting table forwards (in the Y-direction) in steps of 100 µm.
	<p>Back</p> <ul style="list-style-type: none"> Press this button to return to the previous screen or to cancel functions/changes.
	<p>Start</p> <ul style="list-style-type: none"> Starts the cutting process.
	<p>Stop</p> <ul style="list-style-type: none"> Stops the cutting process.
<p>Turn/push knob</p>	
<p>Use this knob on the control panel to select menu items.</p>	
	<ul style="list-style-type: none"> Turn the knob to select a menu, a method group or to change a value. Press the knob to enter a field or activate the selection. Turn the knob to increase or decrease the numeric value, or to toggle between two options. <ul style="list-style-type: none"> If there are only two options, press the knob to toggle between the two options. If there are more than two options, a pop-up box is shown.

7.2 The display



Note

The screens shown in this manual may differ from the actual screens in the software.

When you switch on the machine, the display shows the configuration and the version of the installed software.



The display is divided into two main areas:

A Title bar

The title bar shows the function you have selected.

B Information fields

These fields show information about the selected function. In some fields you can select and change the value.

Acoustic signals

Short beep

A short beep, when you press a key, indicates that the selection is confirmed.

You can enable or disable the beep: select **Configuration**.

Long beep

A long beep, when you press a button, indicates that the key cannot be activated at the moment.

You cannot disable this acoustic signal.

Standby mode

To increase the lifetime of the display, the backlight is dimmed automatically if the machine has not been used for a while. (10 min)

- Press any key to reactivate the display.

7.3 Change the settings

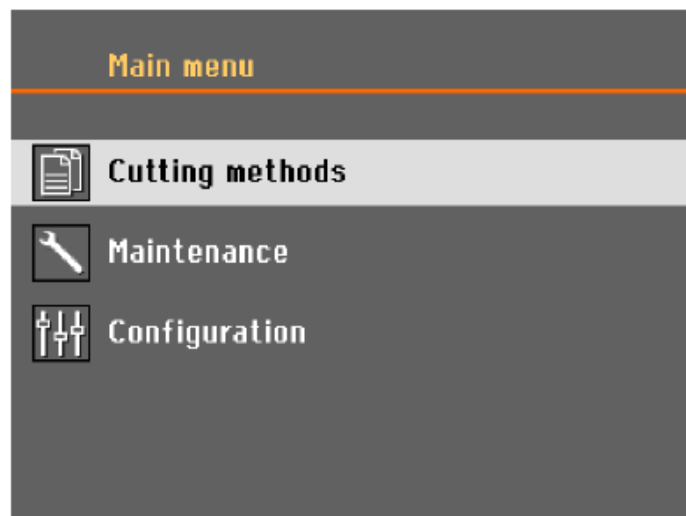
To change a setting, select the field for changing the setting.

1. Turn the knob to go to the field where you wish to change the setting.




2. Press the knob to enter the field.
 - **More than two options:**
Scrolling list: Turn the knob to scroll up or down in a list of values.

Pop-up dialog: Turn the knob to scroll up or down the list of options. Press the knob to select the desired option.
 - **Two options:**
Press the knob to toggle between the options.
3. Press the knob to exit the screen.
4. If needed, press Back to cancel functions/changes.

7.4 Main menu



From **Main menu** you can choose between the following options:

-  • **Cutting methods**
-  • **Maintenance**
-  • **Configuration**

7.5 Start-up - the first time

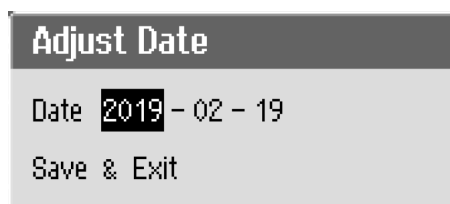
The first time you switch on the machine, you will be prompted to select the language you wish to use, and set the date and time.

If needed, use the controls on the control panel to change the settings. See [Change the settings ▶ 33](#).



1. Select language

Select the language you wish to use. If needed, you can change the language at a later date. See [Configuration menu ▶ 41](#).



2. Adjust date

You will be prompted to set the time.



3. Adjust time

You will be prompted to set the date.

4. If needed, go to the main menu. See also [Main menu ▶ 34](#).

Start-up - daily operation

When you switch on the machine, the screen that was shown when the machine was switched off is shown just after the start-up screen.

7.6 Cutting methods

7.6.1 Settings

1. From the **Main menu** screen, select **Cutting methods**.
The selected cut-off wheel and cutting length are highlighted.
2. Select a cutting method.

Parameters



Cut-off wheel



Rotational speed



Feed speed



Cutting length



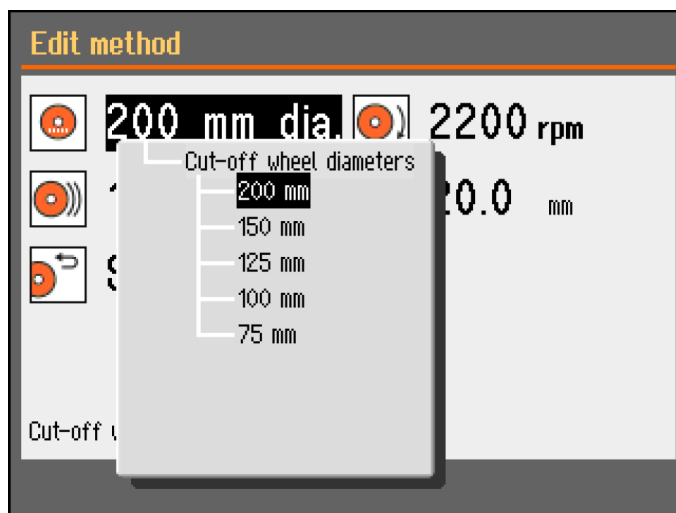
Return position

Change the settings

1. Select the cutting method you wish to edit.



2. Select the cut-off wheel.

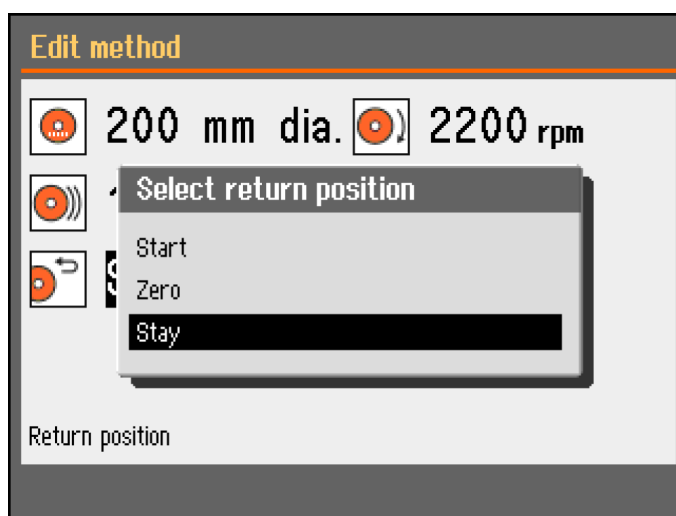


3. Select a cut-off wheel from the list.

The changes are saved automatically. You can reset the method to the default values. See [The Maintenance menu ► 39](#).

7.6.2 Return position

The cut-off wheel can return to 3 positions after the cutting process is complete:



Position	Description
Start	The cutting table returns to the start position.
Zero	The cutting table returns to zero position. The zero position is calibrated after every 10th start-up, or if reference positions have been lost. You can calibrate the zero position. See The Maintenance menu ► 39 .
Stay	The cutting table does not move after cutting.

7.7 Starting the cutting process

1. Secure the workpiece on the cutting table.
2. Make sure that the coolant nozzles are lowered into position.
3. Close the guard.
4. Position the cutting table in the correct place.



Note

You cannot open the guard when cutting is in progress.

5. Select a cutting method.
6. If needed, check and change the settings.
7. To start the cutting process, press **Start**.
8. If needed, you can change the settings for **Feed speed**, **Rotation speed** and **Cutting length** during the cutting process.



Note

Make sure that there is a steady flow of coolant from the nozzles.

7.8 Stopping the cutting process

When the specified cut length is reached, the cut-off wheel automatically stops rotating and the cutting table returns to the selected stop position.



Hint

You can stop the cutting process at any time by pressing Stop.

If you have stopped the machine by pressing Stop, the cutting table stays in position.

7.9 Flushing hose

The machine is delivered with a flushing system for cleaning the cutting chamber of debris discarded during the cutting process. Flushing is operated from the control panel.



CAUTION

Avoid skin contact with the coolant additive.
Always wear protective gloves and safety goggles.

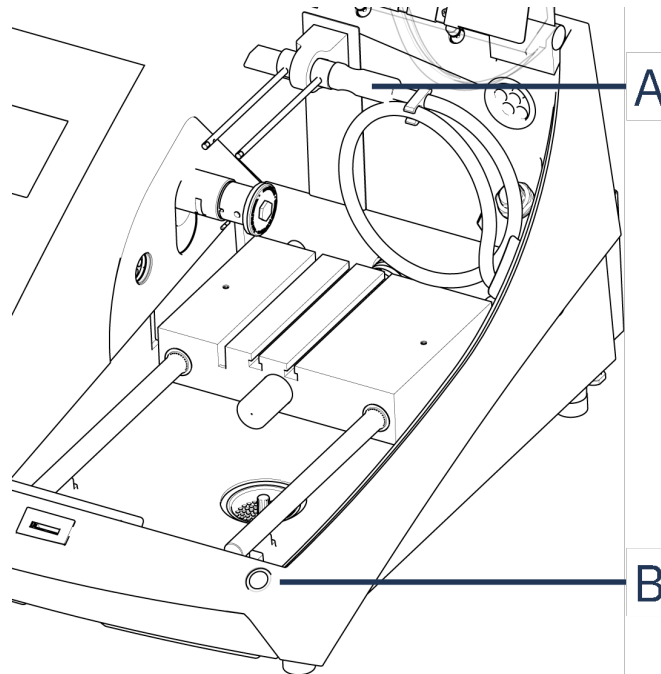


CAUTION

Do not start flushing before the flushing hose is pointing into the cutting chamber.

Procedure**CAUTION**

Mind the protruding safety catch when the safety guard is raised.



A Flushing hose

B Hold-to-run button

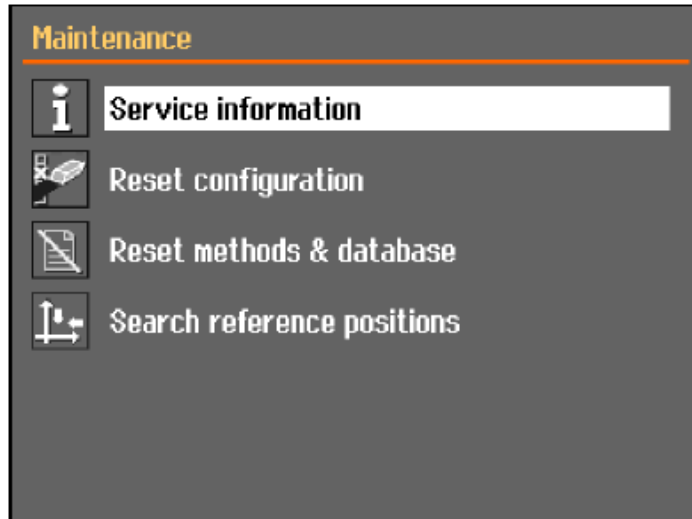
1. Remove the hose from the coolant nozzles.



2. On the control panel, press **Flush**.
3. Point the hose into the cutting chamber.
 - To start flushing, press and hold the Hold-to-run button.
 - To stop flushing, release the Hold-to-run button.
4. When you have finished flushing the cutting chamber, place the hose in its holder.

8 The Maintenance menu

From the **Maintenance** screen you can choose between the following options:



Service information	Information about the equipment. This information is mainly used in connection with service. See The menu ▶ 40 .
Reset configuration	Resets all settings that are accessible from the Configuration menu to default values.
Reset methods & database	Resets all methods and the database to default values.
Search reference positions	Reference position (Zero position) is calibrated after every 10th start-up, or if reference positions have been lost. If reference positions have been lost they can be reset manually.

8.1 The menu

Service information is read-only information. Machine settings cannot be changed.

Service information can be used in cooperation with Struers Service for remote diagnostics of the equipment.

The service information is available only in English.

Maintenance

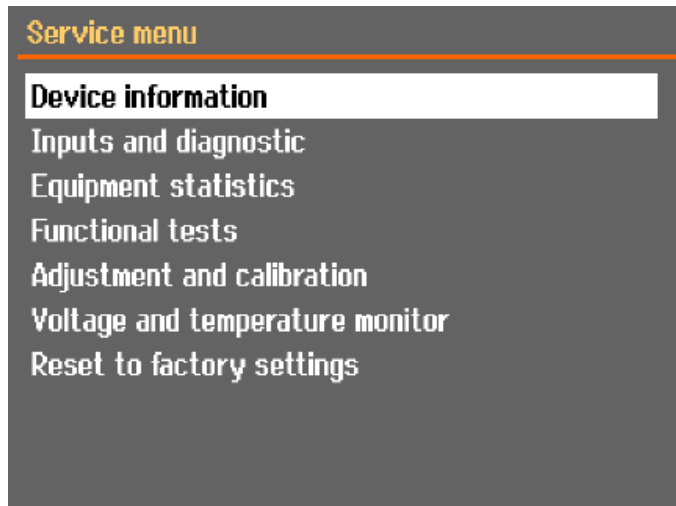
See [Maintenance and service ▶ 42](#).

Service

See [Service and repair ▶ 55](#).

The menu

From the screen you can choose between the following options:

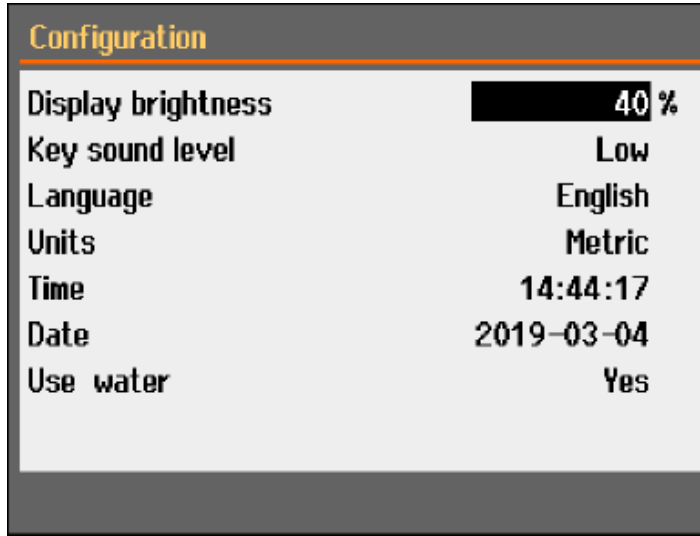


- **Device information**
- **Inputs and diagnostic**
- **Equipment statistics**
- **Functional tests**
- **Adjustment and calibration**
- **Voltage and temperature monitor**
- **Reset to factory settings**
Resets all methods and the database to default values.

9 Configuration menu

From the **Configuration** menu you can set up general parameters.

- From the **Main menu** select **Configuration**.



Parameter	Setting
Display brightness	You can adjust the display to make it easier to view.
Key sound level	When you press a button on the control panel, a sound is heard.
Language	Select the language you wish to use in the software.
Units	Select the unit system: <ul style="list-style-type: none"> - Metric - Imperial
Time	Set the time
Date	Set the date.
Use water	Select No or Yes .

10 Maintenance and service

Proper maintenance is required to achieve the maximum up-time and operating lifetime of the machine. Maintenance is important in ensuring continued safe operation of your machine.

The maintenance procedures described in this section must be carried out by skilled or trained personnel.

Safety Related Parts of the Control System (SRP/CS)

For specific safety related parts, see the section "Safety Related Parts of the Control System (SRP/CS)" in the section "Technical data" in this manual.

Technical questions and spare parts

If you have technical questions or when you order spare parts, state serial number and voltage/frequency. The serial number and the voltage are stated on the name plate of the machine.

10.1 General cleaning

To ensure a longer lifetime for your machine, we strongly recommend regular cleaning.



Note

Clean the cutting chamber daily and if the machine is not to be used for a period of time.



Note

Do not use a dry cloth as the surfaces are not scratch resistant.



Note

Do not use acetone, benzol or similar solvents.

If the machine is not to be used for a longer period of time

- Clean the cutting chamber thoroughly.
- Clean the machine and all accessories thoroughly.

10.2 Clamping devices



Note

We recommend that you thoroughly clean and lubricate the quick clamping device and the vertical quick clamping device at regular intervals.

10.3 Cutting tables

The stainless-steel bands (available as spare parts) should be replaced if damaged or worn.

Turn or replace the steel bands on the cutting table

During regular use, it is not uncommon for the cutting table steel bands located on either side of the cutting area to be damaged.

- If the bands are only damaged on one side, you can turn them.
- If they are very badly damaged or damaged on both sides, replace the bands.

10.4 Cut-off wheels

Storing abrasive cut-off wheels

Abrasive cut-off wheels are sensitive to humidity. Therefore, do not mix new, dry cut-off wheels with used, humid ones. Store the cut-off wheels in a dry place, horizontally on a plane support.

Maintenance of diamond and CBN cut-off wheels

To ensure the precision of diamond and CBN cut-off wheels (and consequently the cut), follow these instructions carefully.

1. Never expose the cut-off wheel to a heavy mechanical load or heat.
2. Store the cut-off wheel in a dry place, horizontally on a plane support, preferably under light pressure.
3. A clean and dry cut-off wheel does not corrode. Therefore, clean and dry the cut-off wheel before storing. If possible, use ordinary detergents for cleaning.
4. Regular dressing of the cut-off wheel is part of the general maintenance.

Dressing diamond and CBN cut-off wheels



Hint

Do not perform more dressing than necessary as this will cause needless wear on the wheel.



Hint

A badly dressed cut-off wheel is the most frequent reason for damage to the wheel.

A newly dressed cut-off wheel will give an optimal cut. A badly maintained and dressed cut-off wheel demands a higher cutting pressure that will result in more frictional heat.

The wheel may also bend and cause a skew cut.

A combination of both factors may result in damage to the cut-off wheel.

To dress the cut-off wheel, use the aluminum oxide dressing stick supplied with the cut-off wheel.

There are two methods to dress a cut-off wheel:

Method 1

1. Clamp the dressing stick like you would clamp a workpiece.
2. Use a moderate feed speed and plenty of coolant to cut through the dressing stick.
3. Repeat the treatment if the cut-off wheel does not cut satisfactorily.

Method 2

- Use a manual dresser.

Test your cut-off wheels

Cut-off wheels must be tested before use.

Test an abrasive cut-off wheel for damage

1. Visually inspect the surface for cracks and chips.
2. Mount the cut-off wheel, close the guard and let the wheel rotate at full speed.

If there is no visible damage and the cut-off wheel did not break during the high-speed test, it has passed the test. If the cut-off wheel shows cracks, it is unsafe to use and must be replaced.

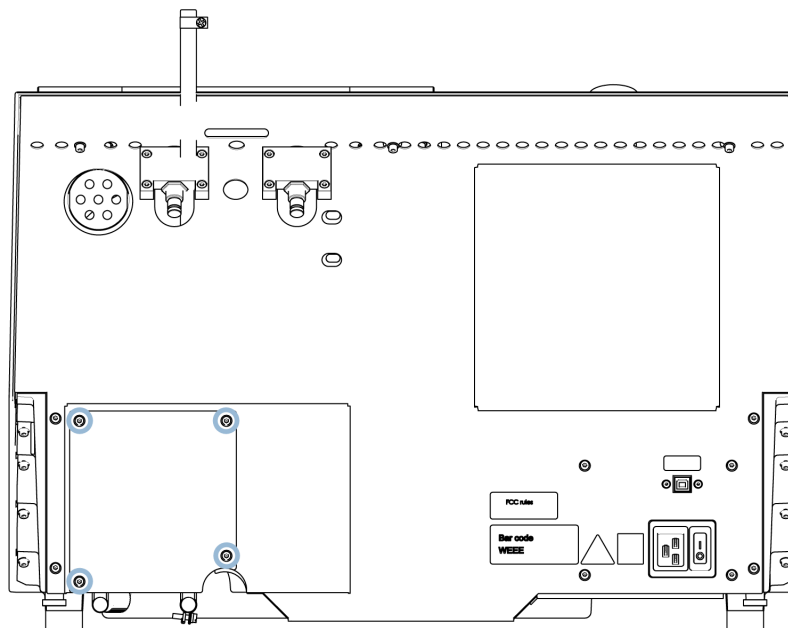
Test a diamond/CBN cut-off wheel - the ring test

To test a diamond/CBN cut-off wheel, perform a ring test.

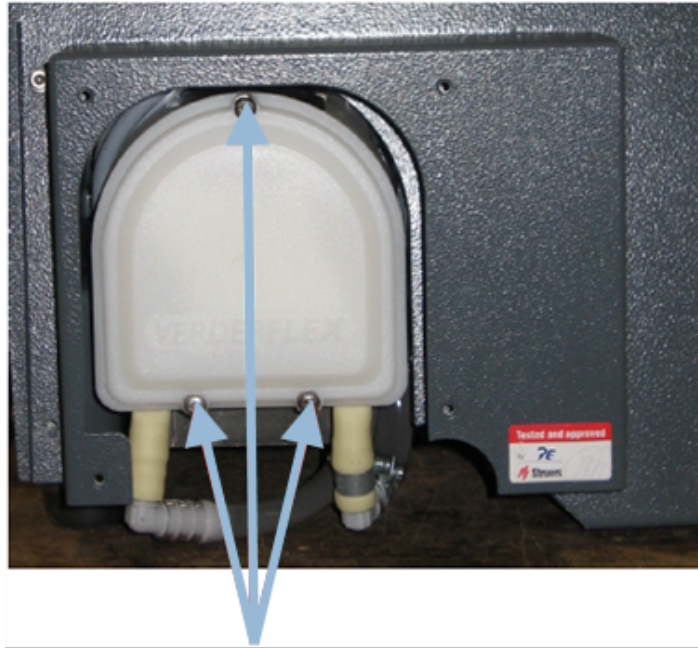
1. Let the cut-off wheel hang over your index finger.
2. With a pencil (not metal), gently tap the cut-off wheel around the edge.
3. The cut-off wheel passes the test if it gives a clear metallic tone when tapped. If the cut-off wheel sounds dull or muted, it is cracked and unsafe to use and must be replaced.

10.5 Change the tubes

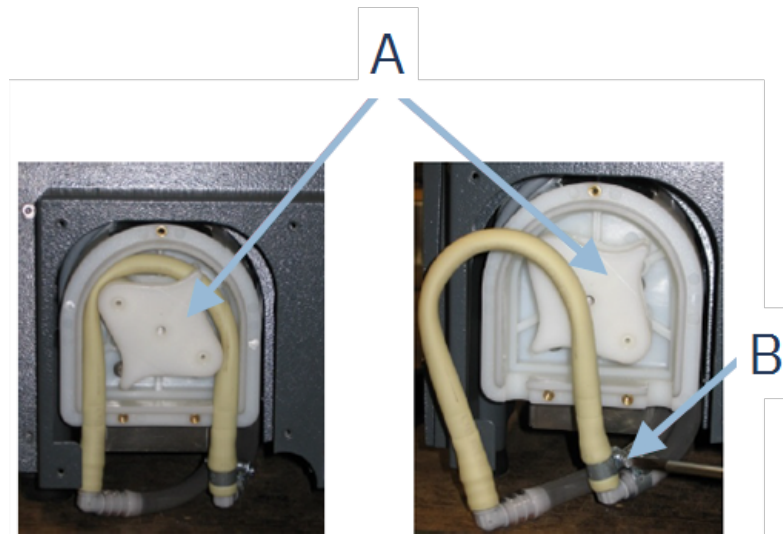
Procedure



1. Remove the four screws on the protection plate on the rear of the machine.



2. Remove the three screws on the cover of the cooling pump.

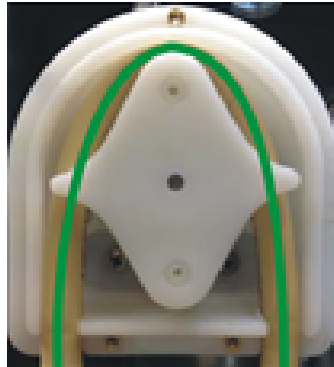
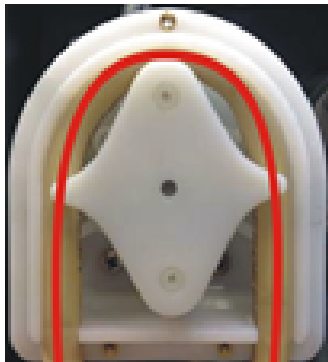


A Pump axle

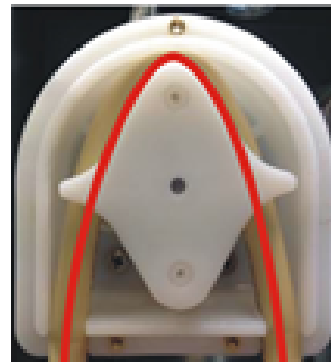
B Hose clamp

3. Remove the tube from the pump axle.
4. Loosen the hose clamp and carefully remove the tube ends from the connectors.
5. Attach the new tube to the connectors and tighten the hose clamp. The hose clamp should be on the end of the tube that directs water into the cutting chamber, as this will have the greatest pressure.
6. Lubricate the tube along its length with the supplied silicone grease. This will help the rollers in the pump to turn smoothly.
7. Press the tube into position around the pump axle.

8. Mount the tube correctly in the pump

Correct**Incorrect****The pump tube is too loose**

Excess volume between the rollers will press "waves" of fluid which will stretch the tube.
The lifetime of the tube will be reduced.

**The pump tube is too tight**

The tube is stretched.
The lifetime of the tube will be reduced.

9. Remount the bottom cover.

10. Remount the protection plate.

10.6 Daily

- Check the machine before use. Do not use the machine until any damage is repaired.

Check the guard

**WARNING**

Replace the guard immediately if it has been weakened by collision with projectile objects or if there are visible signs of deterioration or damage.

- Visually inspect the guard for signs of wear or damage (e.g. dents, cracks, damage to the edge sealing).
- If the guard is damaged, replace it. See [The guard ▶ 52](#).

Check the guard safety lock



Note

Check the interlock tongue regularly to make sure that it is not is not damaged and that it fits perfectly in the locking mechanism.

- Make sure that the interlock tongue slides easily into the locking mechanism.

Daily maintenance



CAUTION

Read the Safety Data Sheet for the additive for coolant before use. Avoid skin contact with the coolant additive.



CAUTION

Wear suitable gloves to protect fingers from abrasives and warm/sharp specimens. Coolant can contain swarf (cutting and grinding debris or other particles).



CAUTION

Do not start flushing until the flushing hose is pointing into the cutting chamber.



Note

Never use acetone, benzol or similar solvents.



Hint

Do not use a dry cloth as the surfaces are not scratch resistant.



Hint

If needed, use ethanol or isopropanol to remove grease and oil.

- Clean all accessible surfaces with a soft, damp cloth.
- Clean the cutting chamber, particularly the T-slot cutting table.
- If needed, clean the drain basket and the magnet in the tank.
- Clean the specimen holder and the flanges.
- Leave the guard open when the machine is not in use to let the cutting chamber dry completely.

10.7 Weekly

Clean the machine to prevent the machine and specimens from being damaged by abrasive grains or metal particles.



Note

Do not use harsh or abrasive cleaning agents.

- Clean all accessible surfaces with a soft damp cloth and common household detergents.
- For heavy duty cleaning, use Struers Cleaner.
- Clean the safety guard with a soft damp cloth and a common, household anti-static window cleaning agent.



Note

To prevent excess foaming from occurring, make sure that no detergent or cleaning agent residue is flushed into the cooling unit tank.

10.7.1 Clean the cutting chamber

- Remove the clamping device(s).
- Store the clamping device(s) in a dry place or place them on the cutting table after cleaning.
- Clean the cutting chamber thoroughly.
- Check the drain basket and the magnet.



Note

A blocked drain can result in overflow and insufficient cooling if the level of fluid in the tank is too low. This can damage the workpiece or the cut-off wheel.

10.7.2 Check the coolant tank



CAUTION

Read the Safety Data Sheet for the additive for coolant before use.



CAUTION

Avoid skin contact with the coolant additive. Wear suitable gloves to protect fingers from abrasives and warm/sharp specimens. Coolant can contain swarf (cutting and grinding debris or other particles).



Hint

We recommend that you change the coolant at least once a month to prevent the growth of microorganisms.

- Check the coolant level after 8 hours of use or at least every week. If needed, refill the tank.
- Replace the coolant if it appears to be contaminated (build-up of cutting debris).

- Add coolant additive.
- Use a refractometer to check the concentration of additive. See the instructions for use on the label.

Coolant nozzles

- If the coolant nozzles are blocked, clear the blockage with a thin piece of wire (e.g. a paper clip).
If needed, remove the screw from the tip of the right nozzle to facilitate cleaning.

10.7.3 Tube for water-free coolant

If you are using water-free coolant, you must replace the tube in the coolant pump with a special tube for water-free coolant. The tube for water-free coolant is more resistant to the components of the water-free coolant. The standard tube only lasts for a few hours, as it is affected by the water-free coolant.

For details on changing the pump tube, see [Change the tubes ▶ 45](#).



Note

If you have mounted the tube for water-free coolant, check it for wear regularly. The frequency for changing the tube varies depending on specific conditions. We recommend that you visually check the tube for wear after every 5 hours of use.

10.8 Monthly

10.8.1 Clean the coolant tank

Replace the coolant in the coolant tank at least once a month.



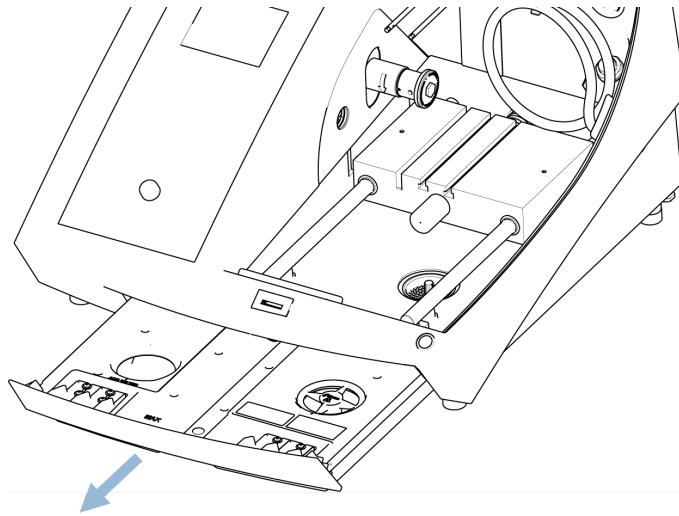
CAUTION

Read the Safety Data Sheet for the coolant additive before use.



CAUTION

Avoid skin contact with the coolant additive.
Wear suitable gloves to protect fingers from abrasives and warm/sharp specimens. Coolant may contain swarf (cutting and grinding debris or other particles).

Procedure

1. Gently slide out the coolant tank.
2. Remove the screw cap.
3. Pour out the used coolant into a drain approved for waste chemicals.
4. Rinse the tank with clean water. Shake the tank occasionally to release any debris that has accumulated on the bottom of the tank.
5. Repeat the rinsing process until the tank is clean.
6. Refit the screw cap.
7. Slide the tank back into position.
8. Fill the tank through the hole in the base of the chamber with a 4% solution of coolant additive: 190 ml coolant additive and 4.5 L water.

**Hint**

For water-sensitive materials, use a water-free coolant.

**Note**

Do not overfill the tank.

**Note**

Flush the recirculation cooling system with clean water if the machine is not to be used for a longer period of time. This will prevent any dried-up residue of cutting material from damaging the inside of the pump.

10.9 Annually

10.9.1 The guard



WARNING

Do not use the machine with defective safety devices.
Contact Struers Service.



WARNING

To ensure its intended safety, the guard must be replaced every 2 years. A label on the guard indicates when it is due to be replaced.

Struers
Safety glass
Sicherheitsglas
Verre sécurité



Note

Replace the guard immediately if it has been weakened by collision with projectile objects or if there are visible signs of deterioration or damage.



Note

If the machine is used for more than one 7-hour shift per day, carry out inspection more often.



Note

The screen must be replaced to remain compliant with the safety requirements stated in EN 16089.

The guard consists of a metal frame and a composite material that protects the operator. If the guard is damaged, it will be weakened and will offer less protection.

Procedure

1. Visually inspect the guard for signs of wear or damage such as cracks or dents.
2. If the guard is damaged, replace it immediately.

10.9.2 Test the safety devices

The safety devices must be tested at least once a year.



WARNING

Do not use the machine with defective safety devices.
Contact Struers Service.

**Note**

Testing should always be performed by a qualified technician (electromechanical, electronic, mechanical, pneumatic, etc.).

The guard has a safety switch system to prevent the cut-off wheel motor from starting when the guard is open.

A locking mechanism prevents the operator from opening the guard until the motor stops spinning.

Emergency stop**WARNING**

Do not use the machine with defective safety devices.
Contact Struers Service.

Test 1

1. Start a cutting process: Press the Start button. The machine starts operating.
2. Press the emergency stop.
3. If operation does not stop, press the Stop button.
4. Contact Struers Service.

Test 2

1. Press the emergency stop.
2. Press the Start button.
3. If the machine starts, press the Stop button.
4. Contact Struers Service.

The guard lock**WARNING**

Do not use the machine with defective safety devices.
Contact Struers Service.

Test 1

1. Open the guard.
2. Try to move the cutting table with the positioning keys.
If the cutting table can be moved, contact Struers Service.

Test 2

1. Start a cutting process: Press Start. The machine starts operating.
2. Try to open the guard – do not use force.
3. If the guard opens, press Stop.

4. Contact Struers Service.


Test 3

1. Open the guard.
2. Press the Start button.
3. If the machine starts, press the Stop button.
4. Contact Struers Service.

Test 4

1. Start a cutting process: Press the Start button. The machine starts operating.
2. Press Stop. If it is possible to open the guard while the cut-off wheel still rotates, contact Struers Service.

The hold-to-run button



WARNING
Do not use the machine with defective safety devices.
Contact Struers Service.

Test 1

1. Open the guard.
2. Press Flush.
3. If coolant starts to flow, press Flush or Stop and contact Struers Service.

10.10 Spare parts

Technical questions and spare parts

If you have technical questions or when you order spare parts, state serial number and voltage/frequency. The serial number and the voltage are stated on the name plate of the machine.

For further information, or to check the availability of spare parts, contact Struers Service. Contact information is available on Struers.com.

Spare parts list

Spare parts	Electrical ref.	Catalog no.
Safety relay	KS1, KS2	2KS10006
Safety sensor	SS1	2SS00130
Inverter	A2	2PU12076
Relay 24 V AC/DC	K3, K4	2KL23851
Emergency stop button	SB1	2SA10400

Spare parts	Electrical ref.	Catalog no.
Emergency stop contact	SB1	2SB10071
Module holder	SB1	2SA41603
Hold-to-run button	S2	2SA00023
Guard lock	YS1	2SS00025
Guard	-	16170004

10.11 Service and repair

Information on total operation time and servicing of the machine is displayed on the screen at start-up.

We recommend that a regular service check be carried out yearly or after every 1500 hours of use.

When the machine is started up, the display shows information about total operation time and the machines service information.

After 1400 hours of operation time, the display will show a message reminding the user that a service check should be scheduled.

When 1500 hours of operation time has been exceeded, the display will show the message **Service period expired.**



Note

Service must only be performed by a qualified technician (electromechanical, electronic, mechanical, pneumatic, etc.).
Contact Struers Service.

Service check

We offer a range of comprehensive maintenance plans to suit the requirements of our customers. This range of services is called ServiceGuard.

The maintenance plans include equipment inspection, replacement of wear parts, adjustments/calibration for optimal operation, and a final functional test.

The Maintenance menu

See [The Maintenance menu ▶ 39](#).

The menu

See [The menu ▶ 40](#).

10.12 Disposal



Equipment marked with a WEEE symbol contains electrical and electronic components and must not be disposed of as general waste.

Contact your local authorities for information on the correct method of disposal in accordance with national legislation.

For disposal of consumables and recirculation fluid, follow local regulations.



WARNING

In case of fire, alert bystanders, the fire brigade and cut power. Use a powder fire extinguisher. Do not use water.



Note

The recirculation fluid will contain additive and cutting or grinding swarf. Do not dispose of the recirculation fluid into a main drain. Follow the current safety regulations for handling and disposal of swarf and additive for recirculation fluid.

Keep track of which metals you cut or grind and the amount of swarf produced.

Depending on which metals you cut or grind, it is possible that the combination of the metallic swarf from metals with a large difference in electropositivity, can result in exothermic reactions when favorable conditions are present.

Examples:

The following are examples of combinations which can result in exothermic reactions if a large amount of swarf is produced during cutting or grinding on the same machine, and when favorable conditions are present:

- Aluminum and copper.
- Zinc and copper.

11 Troubleshooting

11.1 Machine problems


Problem	Cause	Action
No, or insufficient, coolant.	The level in the coolant tank is too low.	Make sure that there is sufficient water in the coolant tank.
	The coolant nozzles are blocked.	Clean the nozzles.

Problem	Cause	Action
Water is leaking.	Leak in the coolant tube.	Check the coolant pump tube. If needed, replace the tube.
	Water overflow in the coolant tank.	Remove the excess water.
	The basket for cutting debris is blocked.	Clean the basket.
Workpieces are rusty.	There is insufficient additive in the coolant.	Check the concentration of additive in the coolant.
The cutting chamber is rusty.	There is insufficient additive in the coolant.	Check the concentration of additive in the coolant.
	The guard was left closed after use.	Leave the guard open to let the cutting chamber dry.
The cutting chamber shows signs of corrosion.	The workpiece is made of copper/copper alloy.	Use a coolant additive that is specifically formulated for copper and copper alloys.

11.2 Cutting problems

Problem	Cause	Action
Discoloration or burning of the workpiece.	The hardness of the cut-off wheel does not match the hardness/dimensions of the workpiece.	Select another wheel or reduce the rotational speed.
	Inadequate cooling.	Check the positioning of the coolant nozzles. If needed, clean the nozzles.
		Make sure that there is sufficient water in the coolant tank.
Unwanted burrs.		Check the concentration of additive in the coolant.
	The cut-off wheel is too hard.	Select another wheel or reduce the rotational speed.
	The feed speed is too high at the end of the operation.	Reduce the feed speed towards the end of the operation.
	Incorrect clamping of the workpiece.	Support the workpiece and clamp it on both sides. Use a specimen holder that is designed for clamping small, long workpieces on both sides.

Problem	Cause	Action	
The cutting quality varies.	Inadequate cooling.	Check the positioning of the coolant nozzles. If needed, clean the nozzles.	
		Make sure that there is sufficient water in the coolant tank.	
The cut-off wheel breaks.	Incorrect mounting of the cut-off wheel.	Check the concentration of additive in the coolant.	
		Make sure that the bore/centre hole has the correct diameter. The nut must be tightened properly.	
	Incorrect clamping of the workpiece.	Support the workpiece and clamp it on both sides. Use a specimen holder that is designed for clamping small, long workpieces on both sides.	
		The cut-off wheel is too hard.	Select another wheel or reduce the rotational speed.
		The feed speed is set too high.	Reduce the feed speed.
	The cut-off wheel wears down too quickly.	The force level is set too high.	Reduce the force level.
		The cut-off wheel bends on contact with the workpiece.	Make an initial cut at a lower feed speed.
The cut-off wheel does not cut through the workpiece.	The feed speed is too high.	Reduce the feed speed.	
	The rotational speed is too low.	Increase the rotational speed.	
The cut-off wheel does not cut through the workpiece.	Insufficient cooling.	Make sure that there is enough water in the coolant tank.	
		Check the positioning of the coolant nozzles.	
		If needed, clean the nozzles.	
The cut-off wheel does not cut through the workpiece.	The rotational speed is too low.	Increase the rotational speed.	
	Incorrect choice of cut-off wheel.	Select another cut-off wheel.	
	The cut-off wheel is worn.	Replace the cut-off wheel.	

Problem	Cause	Action
The workpiece breaks when clamped.	The cut-off wheel gets caught in the workpiece during cutting.	Clamp the workpiece on both sides of the cut-off wheel so that the cut stays open. Use a specimen holder that is designed for clamping small, long workpieces on both sides.
	The workpiece is brittle.	Place the workpiece between two plastic/rubber plates or mount the workpiece in resin. <div data-bbox="1018 611 1393 801" style="border: 1px solid blue; padding: 5px; margin-top: 10px;">  <p>Note Always cut brittle workpieces very carefully.</p> </div>
The specimen is corroded.	The specimen has been left in the cutting chamber for too long.	Remove the specimen directly after cutting. Leave the cutting chamber guard open when you leave the machine.
	Insufficient additive for coolant.	Check the concentration of additive in the coolant.

11.3 Error messages

No.	Messages	Cause	Action
8	Selected cut length exceeds available cutting capacity. OK: Automatic cut length will be set. Cancel: Go back to edit method.	The cutting capacity for the set length is insufficient.	Select OK to set cut length automatically or Cancel to edit method.
106	Machine failed during Power-On Self Testing. Please try to restart the machine. If problem persists, please contact Struers technical support.	A critical error is detected during power-on self-testing. The machine will not start.	Restart the machine. If the error remains, contact Struers Service.

No.	Messages	Cause	Action
110	Machine found a problem during Power On Self Testing. Machine can continue. However, it is strongly recommended to contact Struers technical support. Some features may not be available.	A critical error is detected during power-on self-testing.	Restart the machine. If the error remains, contact Struers Service.
113	Water pump blocked!		Check the coolant level. If the level is low, refill the coolant tank. Replace the coolant if it appears dirty (build-up of cutting debris). If the error remains, contact Struers Service.
114	Machine searching for reference positions. Please wait... Don't switch machine off!	Zero positions are calibrated after every 5th start-up, or if the reference position has been lost or if the emergency stop has been activated under start-up.	Wait until the process is completed.
117	Water pump blocked! Process halted! Clean cooling system before continuing.		Check the coolant level. If the level is low, refill the coolant tank. Replace the coolant if it appears dirty (build-up of cutting debris). If the error remains, contact Struers Service.
119	Main motor overload detected! Reduce feed speed before continuing.	The cut-off wheel may be caught in the workpiece. The OptiFeed feature is unable to decrease the main motor load to an acceptable level.	Move the cutting table backwards to release the cut-off wheel. Reduce the feed speed and continue cutting. Manually reduce the feed speed and continue cutting.

No.	Messages	Cause	Action
125	Main motor overheated! Cutting process halted! Please wait until motor temperature decreases before continuing cutting.	The temperature of the main motor has exceeded 150°C for more than 5 sec.	Wait for the motor to cool.
126	Main motor cannot start. Process halted! Please try to restart the machine if problem occurs after next start.		Switch the machine off and then on. If the error remains, contact Struers Service.
127	Main motor rotation lost. Process halted! Try to restart cutting process. Alarm register: xxxx Error register: xxxx	The cutting process has been aborted.	Make a note of the Alarm register and Error register values. Restart the cutting process. If the error remains, contact Struers Service. Quote the Alarm register and Error register values.
128	Open safety lock detected. Process halted! Restart the process - do not open guard during operation!	Sensors register that the guard lock is open during cutting.	Make sure that the guard is closed, and the guard lock is engaged. If the error remains, contact Struers Service.
129	Searching of reference positions aborted by user. Machine cannot continue without reference positions found. Please restart the machine and wait until reference positions are scanned.	The emergency stop has been activated while the machine was scanning for zero-positions.	Restart the machine. Wait until the scan for zero-positions is complete.
130	Motor drive overloaded! Process halted! Please decrease RPM and/or feed speed before continuing cutting.	The load on the motor has caused an overload.	Decrease the RPM and/or feed speed before continuing cutting.

No.	Error message	Cause	Action
001	SMM not present!	Struers Memory Module is not connected correctly to machine.	Restart the machine. If the error remains, contact Struers Service.
002	Inverter communication failed!	The machine is not able to communicate with the frequency inverter.	Restart the machine. If the error remains, contact Struers Service.
004	Mains voltage too low!	The main electrical power voltage is lower than 220 V.	Make sure that the main electrical power voltage corresponds to the voltage stated on the type plate on the machine. Restart the machine. If the error remains, contact Struers Service.
005	Problem with 24V supply voltage	The DC supply voltage is lower than 18 V.	Restart the machine. If the error remains, contact Struers Service.
006	5V supplying out of range	The 5 V power supply on the PCB is lower than 4 V.	Restart the machine. If the error remains, contact Struers Service.
007	SMM read-write test failed	Communication with the Struers Memory Module is unsuccessful.	Restart the machine. If the error remains, contact Struers Service.
008	Y-table motor not connected	Communication with the Y-table stepper motor unit failed.	Restart the machine. If the error remains, contact Struers Service.
No.	Warning messages	Cause	Action
001	Mains voltage too low	The main electrical power voltage is lower than 180 V.	Make sure that the main electrical power voltage corresponds to the voltage stated on the type plate on the rear of the machine. Restart the machine. If the error remains, contact Struers Service.

12 Technical data

12.1 Technical data

Capacity	Height x Length	42x170 mm (1.7" x 6.7")
	Diameter	42 mm (1.7")
	Cutting length	0-200 mm (0-7.9") in steps of 0.1 mm
Cut-off wheel	Diameter	75-203 mm (3 - 8") For cut-off wheels < 150 mm (6") the workpiece must be raised from the cutting table
	Arbor diameter	12.7 mm (0.5") and 22 mm (0.86")
Cut-off wheel motor	Rotational speed	1,000 - 3,000 rpm in steps of 100 rpm
	Height adjustment of cut-off wheel	–
Cutting table	Width	253 mm (10")
	Depth	180 mm (7.1")
	T-slots	T-slot table unit, 8.0 mm
	Feed speed	0.005-3.0 mm/s (0.3-7"/min.) in steps of 0.005 mm
Laser		NA
Software and electronics	Controls	Touch pad, joystick, and turn/push knob
	Display	LCD, TFT-color 5.7", 320x240 dots with LED back light
Safety standards		CE-labeled according to EU directives
REACH		For information about REACH, contact your local Struers office.
Operating environment	Surrounding temperature	5-40°C (41-104°F)
	Humidity	< 85 % RH non-condensing

Power supply	Voltage/frequency	200-240 V (50-60 Hz)
	Power inlet	1-phase (N+L1+PE) or 2-phase (L1+L2+PE) The electrical installation must comply with Installation Category II
	Power S1	0.75 kW
	Power S3	1.0 kW
	Power, idle	13 W
	Current, max.	11.7 A
	Cooling system	Tap water or recirculation system
Safety Circuit Categories/Performance Level	Guard safety switch system	PL e, Category 3 Stop category 0
	Guard lock	PL b, Category 3 Stop category 0
	Hold-to-run function	PL d, Category 1 Stop category 0
	Emergency stop	PL c, Category 1 Stop category 0
	Unintended start of fluid system	PL b, Category 3
	Axis speed monitoring, Y-table movement	PL d, Category 3 Stop category 0
	Cut-off wheel monitoring and speed limitation	PL d, Category 3
	Axis speed monitoring, vertical axis movement	N/A
Exhaust	Recommended capacity	50 m ³ /h (1750 ft ³ /h) at 0 mm water gauge
Advanced features	X-table, automatic	No
	X-stand, manual	No
	Rotary stand	No

Noise level	A-weighted sound emission pressure level at workstations	LpA = 66 dB(A) (measured value). Uncertainty K = 4 dB Measurements made in accordance with EN ISO 11202
Vibration level	Declared vibration emission	N/A
Dimensions and weight	Width	64 cm (25.4")
	Depth (with plug)	78 cm (27.6")
	Height (guard closed)	44 cm (17.3")
	Height (guard open)	105.5 cm (41.5")
	Weight	67 kg (148 lbs)


12.2 Safety Circuit Categories/Performance Level

Safety Circuit Categories/Performance Level	
Guard safety switch system	EN 60204-1, Stop category 0 EN ISO 13849-1, Category 3 Performance Level (PL) e
Guard lock	EN 60204-1, Stop category 0 EN ISO 13849-1, Category 3 Performance Level (PL) b
Hold-to-run function	EN 60204-1, Stop category 0 EN ISO 13849-1, Category 3 Performance Level (PL) d
Emergency stop	EN 60204-1, Stop category 0 EN ISO 13849-1, Category 1 Performance Level (PL) c
Unintended start of fluid system	EN ISO 13849-1, Category 3 Performance Level (PL) b
Axis speed monitoring - Y-table movement	EN 60204-1, Stop category 0 EN ISO 13849-1, Category 3 Performance Level (PL) d
Cut-off wheel monitoring and speed limitation	EN ISO 13849-1, Category 3 Performance Level (PL) d


12.3 Technical data - equipment units


For technical data covering the individual units of equipment, see the specific equipment manual.


12.4 Safety Related Parts of the Control System (SRP/CS)




WARNING
To ensure its intended safety, the guard must be replaced every 2 years. A label on the guard indicates when it is due to be replaced.


 Safety glass
 Sicherheitsglas
 Verre sécurit






WARNING
Safety critical components must be replaced after a maximum lifetime of 20 years.
Contact Struers Service.



Note
SRP/CS (safety-related parts of a control system) are parts that have an influence on safe operation of the machine.



Note
Replacement of safety critical components must only be performed by a Struers engineer or a qualified technician (electromechanical, electronic, mechanical, pneumatic, etc.).
Safety critical components must only be replaced by components with at least the same safety level.
Contact Struers Service.

Safety related part	Manufacturer/Manufacturer description	Manufacturer catalog no.
Safety relay	Omron	G9SB
Safety sensor	Schmersal	BNS 120-02Z
Inverter	ATV	ATV320U15M2C
Relay 24 V AC/DC	Finder	38.51.0.024.0060
Emergency stop button	Schlegel Latching mushroom head	ES Ø22 type RV
Emergency stop contact	Schlegel Modular contact, momentary	1 NC type MTO
Module holder	Schlegel Module holder, 3 elem. MHR-3	MHR-3
Hold-to-run button	Schurter Metal line switches	1241.6931.1120000

Safety related part	Manufacturer/Manufacturer description	Manufacturer catalog no.
Guard lock	Schmersal	AZM170SK-11/02ZRK-2197 24VAC/DC
Guard	Struers	16850044

12.5 Diagrams

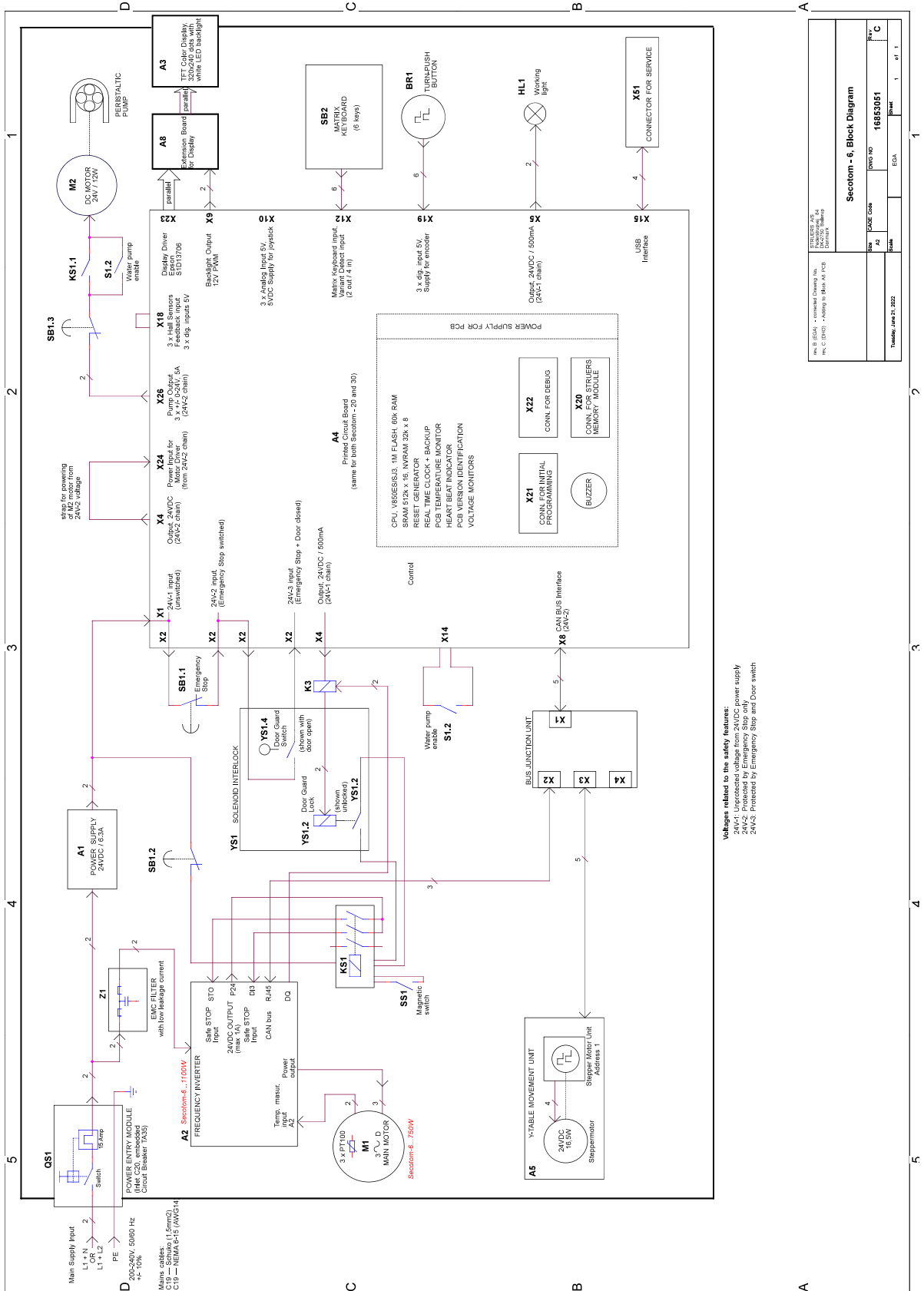


Note

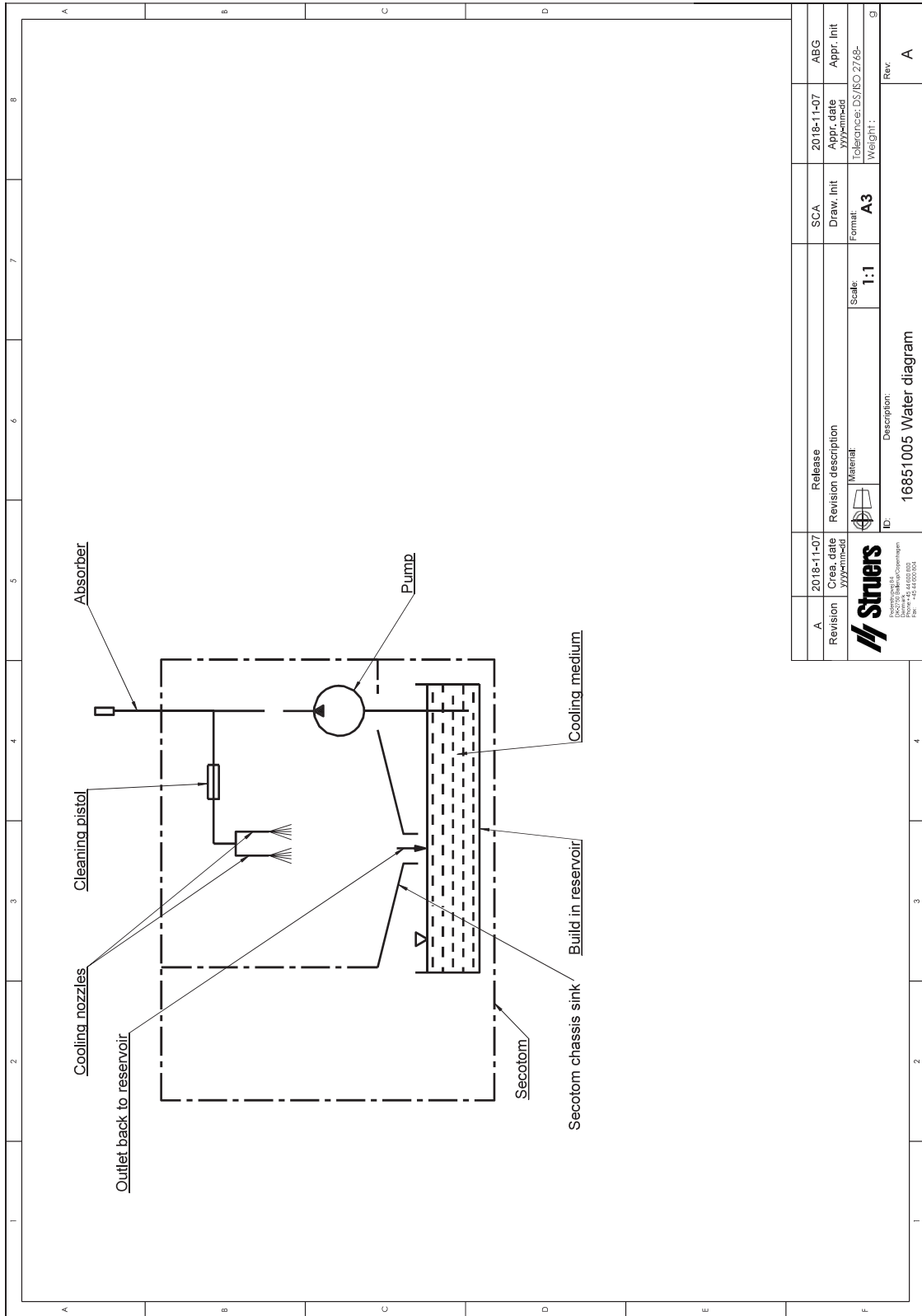
If you want to view specific information in detail, see the online version of this manual.

Title Secotom-6	No.
Block diagram	168553051 ▶ 68
Water diagram	16851005 ▶ 69
Circuit diagram	See the diagram number on the name plate of the equipment, and contact Struers Service via Struers.com .

168553051



16851005



A	2018-11-07	2018-11-07	SCA	ABG
Revision	Cre. date	Appr. date	Draw. Init	Appr. Init
	2018-11-07	2018-11-07		
Release		Tolerance: DS/BO/2748-		
Revision description		Weight:		
Material		Rev		
ID:		A		
Description:		16851005 Water diagram		
Scale: 1:1		Format: A3		

12.6 Legal and regulatory information

FCC notice

This equipment has been tested and found to comply with the limits for a Class B digital device, pursuant to part 15 of the FCC Rules. These limits are designed to provide reasonable protection against harmful interference in a residential installation. This equipment generates, uses and can radiate radio frequency energy and, if not installed and used in accordance with the instructions, may cause harmful interference to radio communications. However, there is no guarantee that interference will not occur in a particular installation. If this equipment does cause harmful interference to radio or television reception, which can be determined by turning the equipment off and on, the user is encouraged to try to correct the interference by one or more of the following measures:

- Reorient or relocate the receiving antenna.
- Increase the separation between the equipment and receiver.
- Connect the equipment into an outlet on a circuit different from that to which the receiver is connected.

EN ISO 13849-1:2015

All SRP/CS are limited to a lifetime of 20 years. After expiration of this period, all components must be replaced.

13 Manufacturer

Struers ApS
Pederstrupvej 84
DK-2750 Ballerup, Denmark
Telephone: +45 44 600 800
Fax: +45 44 600 801
www.struers.com

Responsibility of the manufacturer

The following restrictions should be observed, as violation of the restrictions may cause cancellation of Struers legal obligations.

The manufacturer assumes no responsibility for errors in the text and/or illustrations in this manual. The information in this manual is subject to change without notice. The manual may mention accessories or parts not included in the supplied version of the equipment.

The manufacturer is to be considered responsible for effects on safety, reliability, and performance of the equipment only if the equipment is used, serviced, and maintained in accordance with the instructions for use.

Declaration of Conformity

Manufacturer	Struers ApS • Pederstrupvej 84 • DK-2750 Ballerup • Denmark
Name	Secotom-6
Model	N/A
Function	Cut-off machine
Type	685
Cat. no.	06856127, 06856227, 06856327, 05996911, 05996912, 05996913, 05996914
Serial no.	



Module H, according to global approach



We declare that the product mentioned is in conformity with the following legislation, directives and standards:

2006/42/EC	EN ISO 12100:2010, EN ISO 13849-1:2015, EN ISO 13849-2:2012, EN ISO 13850:2015, EN ISO 13857:2019, EN ISO 16089:2015, EN ISO 60204:2018, EN 60204-1-2018/Corr.:2020
2011/65/EU	EN 63000:2018
2014/30/EU	EN 61000-3-2:2014, EN 61000-3-3:2013, EN 61000-6-2:2005, EN 61000-6-2:2005/Corr.:2005, EN 61000-6-3:2007, EN 61000-6-3-A1:2011, EN 61000-6-3-A1-AC:2012
Additional standards	NFPA 79, FCC 47 CFR Part 15 Subpart B

Authorized to compile technical file/
Authorized signatory

Date: [Release date]

en For translations see
bg За преводи вижте
cs Překlady viz
da Se oversættelser på
de Übersetzungen finden Sie unter
el Για μεταφράσεις, ανατρέξτε στη διεύθυνση
es Para ver las traducciones consulte
et Tõlked leiate aadressilt
fi Katso käännökset osoitteesta
fr Pour les traductions, voir
hr Za prijevode idite na
hu A fordítások itt érhetők el
it Per le traduzioni consultare
ja 翻訳については、
lt Vertimai patalpinti
lv Tulkojumus skatīt
nl Voor vertalingen zie
no For oversættelser se
pl Aby znaleźć tłumaczenia, sprawdź
pt Consulte as traduções disponíveis em
ro Pentru traduceri, consultați
se För översättningar besök
sk Preklady sú dostupné na stránke
sl Za prevode si oglejte
tr Çeviriler için bkz
zh 翻译见

www.struers.com/Library