

# Retrofit kit

for AbraPlan-30  
for use with Xmatic and Xmatic Compact  
specimen holders

## User Guide

**Original Instructions**



Doc. no.: 16297027-01\_A\_en

Date of release: 2024.05.03

---

**Copyright**

The contents of this manual are the property of Struers ApS. Reproduction of any part of this manual without the written permission of Struers ApS is not allowed.

All rights reserved. © Struers ApS.

---

# Table of Contents

<b>1</b>	<b>About this manual</b> .....	<b>4</b>
<b>2</b>	<b>Safety</b> .....	<b>4</b>
2.1	Intended use .....	4
2.2	Retrofit kit for Xmatic specimen holders - safety precautions .....	4
2.2.1	Read carefully before use .....	4
<b>3</b>	<b>Get started</b> .....	<b>5</b>
3.1	Device description .....	5
3.2	Overview .....	5
<b>4</b>	<b>Storage</b> .....	<b>6</b>
<b>5</b>	<b>Installation</b> .....	<b>6</b>
5.1	Mounting the retrofit kit for Xmatic specimen holders on the machine .....	6
5.2	Noise .....	6
<b>6</b>	<b>Maintenance and service</b> .....	<b>6</b>
<b>7</b>	<b>Disposal</b> .....	<b>6</b>
<b>8</b>	<b>Technical data</b> .....	<b>7</b>
8.1	Technical data .....	7
<b>9</b>	<b>Manufacturer</b> .....	<b>7</b>

# 1 About this manual



## **CAUTION**

Struers equipment must only be used in connection with and as described in the Instruction Manual supplied with the equipment.



## **Note**

Read the Instruction Manual carefully before use.



## **Note**

If you want to view specific information in detail, see the online version of this manual.

# 2 Safety

## 2.1 Intended use

The retrofit kit is intended to be used on Struers AbraPlan-30 high removal grinding machines to enable the use of specimen holders used for Xmatic and Xmatic Compact with AbraPlan-30.

The retrofit kit is designed to be used only with Struers AbraPlan-30 designed for high removal grinding.

## 2.2 Retrofit kit for Xmatic specimen holders - safety precautions



### 2.2.1 **Read carefully before use**

Ignoring this information and mishandling of the equipment can lead to severe bodily injuries and material damage.

#### **General safety precautions**

1. The machine must be installed in compliance with local safety regulations. All functions on the machine and any connected equipment must be in working order.
2. This device must be mounted securely on the machine.
3. Wear safety shoes when handling heavy machine parts.

## 3 Get started

### 3.1 Device description

The retrofit kit consists of a coupling with a splash guard. The retrofit kit must be installed on AbraPlan-30 to ensure the Xmatic and Xmatic Compact specimen holders can be inserted into AbraPlan-30 for high removal grinding. The subsequent grinding and polishing steps can be done on Xmatic or Xmatic Compact.

When AbraPlan-30 is installed with the retrofit kit, only Xmatic and Xmatic Compact specimen holders can be run on AbraPlan-30.

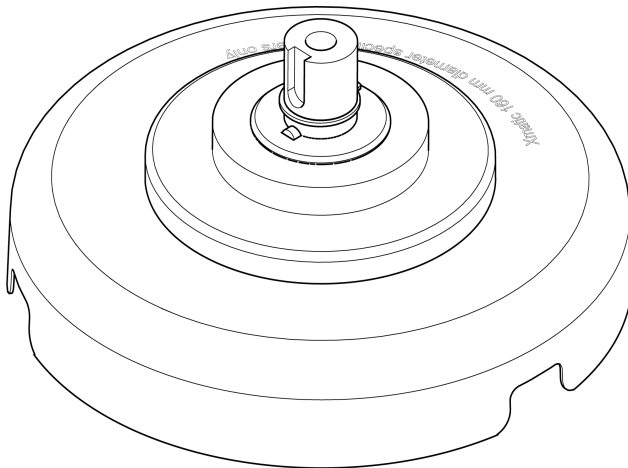
**Note**

Only a Struers service technician is allowed to install the retrofit kit.

**Note**

When the retrofit kit is installed, only Xmatic and Xmatic Compact holders can be used on AbraPlan-30.

### 3.2 Overview



## 4 Storage

Store the device in a dry and dust-free location.

## 5 Installation

### 5.1 Mounting the retrofit kit for Xmatic specimen holders on the machine



**Note**

Only a Struers service technician is allowed to install the retrofit kit.

### 5.2 Noise

For information on the sound pressure level value, see the AbraPlan-30 Instruction Manual.

## 6 Maintenance and service

For more information on how to maintain the device, see the Instruction Manual for AbraPlan-30.

## 7 Disposal

Contact your local authorities for information on the correct method of disposal in accordance with national legislation.

## 8 Technical data

### 8.1 Technical data

Subject	Specifications	
<b>Operating environment</b>	<b>Surrounding temperature</b>	5 – 40°C/41 – 104°F
	<b>Humidity</b>	< 85 % RH non-condensing
<b>Storage and transport conditions</b>	<b>Surrounding temperature</b>	0 – 60°C/32 – 140°F
	<b>Humidity</b>	< 85 % RH non-condensing
<b>Dimensions and weight</b>	<b>Diameter</b>	212 mm (8.3")
	<b>Height</b>	94 mm (3.7")
	<b>Weight</b>	1.2 kg (2.7 lbs)
<b>REACH</b>	For information about REACH, contact your local Struers office.	

## 9 Manufacturer

Struers ApS  
 Pederstrupvej 84  
 DK-2750 Ballerup, Denmark  
 Telephone: +45 44 600 800  
 Fax: +45 44 600 801  
 www.struers.com

### Responsibility of the manufacturer

The following restrictions should be observed, as violation of the restrictions may cause cancellation of Struers legal obligations.

The manufacturer assumes no responsibility for errors in the text and/or illustrations in this manual. The information in this manual is subject to change without notice. The manual may mention accessories or parts not included in the supplied version of the equipment.

The manufacturer is to be considered responsible for effects on safety, reliability, and performance of the equipment only if the equipment is used, serviced, and maintained in accordance with the instructions for use.





en For translations see  
bg За преводи вижте  
cs Překlady viz  
da Se oversættelser på  
de Übersetzungen finden Sie unter  
el Για μεταφράσεις, ανατρέξτε στη διεύθυνση  
es Para ver las traducciones consulte  
et Tõlked leiata aadressilt  
fi Katso käännökset osoitteesta  
fr Pour les traductions, voir  
hr Za prijevode idite na  
hu A fordítások itt érhetőek el  
it Per le traduzioni consultare  
ja 翻訳については、  
lt Vertimai patalpinti  
lv Tulkojumus skatīt  
nl Voor vertalingen zie  
no For oversettelser se  
pl Aby znaleźć tłumaczenia, sprawdź  
pt Consulte as traduções disponíveis em  
ro Pentru traduceri, consultați  
se För översättningar besök  
sk Preklady sú dostupné na stránke  
sl Za prevode si oglejte  
tr Çeviriler için bkz  
zh 翻译见

[www.struers.com/Library](http://www.struers.com/Library)