

Minitom

Instruction Manual

Original Instructions



CE

Doc. no.: 14437025-01_C_en-us
Date of release: 2023.03.10

Copyright

The contents of this manual are the property of Struers ApS. Reproduction of any part of this manual without the written permission of Struers ApS is not allowed.

All rights reserved. © Struers ApS.

Table of Contents

1	About this manual	5
2	Safety	5
2.1	Intended use	5
2.2	Minitom safety precautions	6
2.2.1	Read carefully before use	6
2.3	Safety messages	7
2.4	Safety messages in this manual	8
3	Getting started	9
3.1	Device description	9
3.2	Overview	10
3.3	Accessories and consumables	10
4	Transport and storage	11
4.1	Storage	11
4.2	Transport	11
5	Installation	12
5.1	Unpack the machine	12
5.2	Lift the machine	12
5.3	Check the packing list	13
5.4	Location	13
5.5	Power supply	13
5.6	Mounting the specimen holder arm	15
5.7	Filling the cooling tank	16
5.8	Noise	16
5.9	Vibration	16
6	Operate the device	16
6.1	Changing the cut-off wheel	16
6.2	Changing the specimen holder	17
6.3	Clamping the specimen	17
6.4	Mechanical settings	18
6.5	Basic operation	19
6.5.1	Control panel functions	19
6.5.2	Starting the cutting process	20
6.5.3	Stopping the cutting process	20

7 Maintenance and service - Minitom	21
7.1 Daily	21
7.1.1 General cleaning	21
7.1.2 Clean the cutting area	21
7.1.3 Clean the cooling tank	22
7.2 Weekly	22
7.2.1 The cut-off wheel spindle and bushing	22
7.3 Monthly	22
7.3.1 Specimen holder arm	22
7.3.2 General cleaning	22
7.4 Cut-off wheel	22
8 Spare parts	23
9 Service and repair	24
10 Disposal	24
11 Troubleshooting	25
11.1 Cutting problems	25
12 Technical data	26
12.1 Technical data	26
12.2 Noise and vibration levels	27
12.3 Diagrams	27
12.3.1 Diagrams - Minitom	27
12.4 Legal and regulatory information	29
13 Manufacturer	29
Declaration of Conformity	31

1 About this manual



CAUTION

Struers equipment must only be used in connection with and as described in the Instruction Manual supplied with the equipment.



Note

Read the Instruction Manual carefully before use.



Note

If you wish to view specific information in detail, see the online version of this manual.

2 Safety

2.1 Intended use

The machine is intended for professional automatic, cutting of materials (primary non-metals) for further materialographic inspection in a closed, secured location without access for employees.

The machine must be operated only by skilled/trained personnel.

The machine is for use in a professional working environment (e.g. a materialographic laboratory).

The equipment is designed to be used only with Struers consumables specifically designed for this purpose and this type of machine.

Do not use the machine for the following

Cutting of materials other than solid materials suitable for materialographic studies. In particular, the machine must not be used for cutting of any type of explosive and/or flammable material, or materials which are not stable during machining, heating or pressure.

The machine may not be used with cut-off wheels which are not compatible with the machine requirements (e.g. abrasive/resin bonded cut-off wheels or toothed cut-off wheels).

Model

Minitom

2.2 Minitom safety precautions



2.2.1 Read carefully before use

1. Ignoring this information and mishandling of the equipment can lead to severe bodily injuries and material damage.
2. The machine must be installed in compliance with local safety regulations. All functions on the machine and any connected equipment must be in working order.
3. The operator must read the safety precautions and Instruction Manual, as well as relevant sections of the manuals for any connected equipment and accessories.
The operator must read the Instruction Manual and, where applicable, the Safety Data Sheets for the applied consumables.
4. Make sure that the actual electrical power supply voltage corresponds to the voltage stated on the type plate of the machine. The machine must be earthed (grounded). Always follow local regulations. Always switch off the electrical power supply and remove the plug or power cable before dismantling the machine or installing additional components.
5. This machine must be operated and maintained only by skilled/trained personnel.
6. The machine must be placed on a safe and stable table with an adequate working height. The table must be able to carry at least the weight of the machine and the accessories.
7. Always use intact cut-off wheels.
8. All safety functions must be intact and in working order. If they are not, they must be replaced or repaired before the machine can be used.
9. The workpiece must be securely fixed in a clamping device or similar.
10. Wear suitable gloves to protect fingers from abrasives and warm/sharp specimens.
11. Avoid skin contact with the cooling fluid additive.
12. When working with cooling fluid always observe the safety regulations for handling, mixing, filling, emptying and disposing of the cooling fluid additive.
13. The machine must always be used with the splash guard in place. Do not remove the splash guard until the cut-off wheel has stopped completely.
14. When working at machines with rotating parts, take care to prevent clothes and/or hair from being caught by the rotating parts.
15. The machine must be disconnected from the electrical power supply before any service.
16. Do not switch the machine on and off more than once every five minutes. Damage to the electrical components could occur.
17. If you observe malfunctions or hear unusual noises, switch off the machine and call technical service.
18. In case of fire, alert bystanders and the fire brigade. Use a powder fire extinguisher. Do not use water.
19. Struers equipment must only be used in connection with and as described in the Instruction Manual supplied with the equipment.

20. The equipment is designed to be used only with Struers consumables specifically designed for this purpose and this type of machine.
21. If the equipment is subjected to misuse, incorrect installation, alteration, neglect, accident or incorrect repair, Struers will accept no responsibility for damage to the user or the equipment.
22. Dismantling of any part of the equipment, during service or repair, should always be performed by a qualified technician (electromechanical, electronic, mechanical, pneumatic, etc.).

2.3 Safety messages

Struers uses the following signs to indicate potential hazards.



ELECTRICAL HAZARD

This sign indicates an electrical hazard which, if not avoided, will result in death or serious injury.



DANGER

This sign indicates a hazard with a high level of risk which, if not avoided, will result in death or serious injury.



WARNING

This sign indicates a hazard with a medium level of risk which, if not avoided, could result in death or serious injury.



CAUTION

This sign indicates a hazard with a low level of risk which, if not avoided, could result in minor or moderate injury.



CRUSHING HAZARD

This sign indicates a crushing hazard which, if not avoided, could result in minor, moderate or serious injury.



HEAT HAZARD

This sign indicates a heat hazard which, if not avoided, can result in minor, moderate or serious injury.



Emergency stop

Emergency stop

General messages



Note

This sign indicates that there is a risk of damage to property, or a need to proceed with special care.



Hint

This sign indicates that additional information and hints are available.

2.4 Safety messages in this manual

Specific safety precautions - residual risks



WARNING

The machine must not be used for any type of explosive and/or flammable material, or materials which are not stable during machining, heating or pressure.



CAUTION

This machine must be operated and maintained only by skilled/trained personnel.



CAUTION

The cut-off wheel is not covered. Keep hands away from the cut-off wheel during cutting. Take care that clothing and/or hair cannot be caught by the rotating parts.



CAUTION

The equipment is designed to be used only with Struers consumables specifically designed for this purpose and this type of machine.

General safety precautions



WARNING

Struers equipment must only be used in connection with and as described in the Instruction Manual supplied with the equipment.



ELECTRICAL HAZARD

Switch off the electrical power supply before installing electrical equipment. The machine must be earthed (grounded). Make sure that the actual electrical power supply voltage corresponds to the voltage stated on the type plate of the machine. Incorrect voltage can damage the electrical circuit.



WARNING

Switch off the machine, disconnect the electrical power cable and wait 5 minutes before you dismantle the machine or install additional components.

**CAUTION**

Prolonged exposure to loud noises may cause permanent damage to a person's hearing.
Use hearing protection if the exposure to noise exceeds the levels set by local regulations.

**CRUSHING HAZARD**

Take care of your fingers when handling the machine.
Wear safety shoes when handling heavy machinery.

3 Getting started

3.1 Device description

Minitom is an automatic cut-off machine designed for cutting solid, stable (non-explosive) materials (primarily non-metals).

Minitom can cut a majority of solid and stable (non-explosive) materials, primarily non-metals. It has a built-in cooling tank which is filled with water and cutting additive before use. The cut-off wheel speed and cutting pressure can be adjusted during the cutting process.

The operator starts the cutting process by selecting and mounting the cut-off wheel on the cutting part, and secures the workpiece to be cut by using the clamping tool mounted on the specimen holder arm. The Stop position is adjusted by moving the stop plate.

The width of the cut-off piece is adjusted by the micrometer screw on the cutting part.

The splash guard must be in place before the process is started.

The operator starts the cut-off wheel manually by pressing Start on the control box, and the cut-off wheel starts to rotate.

The specimen holder arm with the workpiece to be cut is slowly moved down towards the cut-off wheel.

The operator adjusts the cutting force by using the weight on the specimen holder arm, and then adjusts the cut-off wheel rotation speed on the control box.

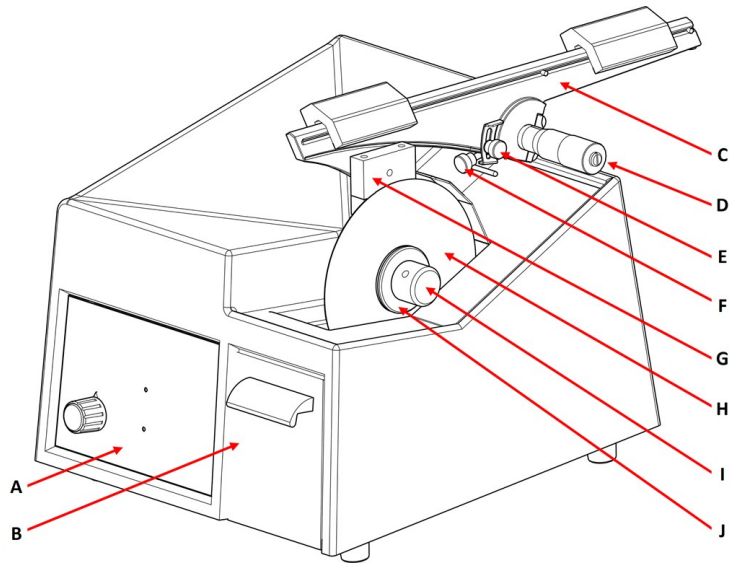
The cut-off wheel stops automatically when the specimen holder arm touches the stop pin, and the operator removes the cut off specimen. The operator can adjust the automatic stop position by moving the stop plate up or down. The operator can also stop the cut-off wheel by pressing Stop on the control box.

The cut off part (the specimen) is ready for cleaning, mounting, preparation or inspection.

3.2 Overview

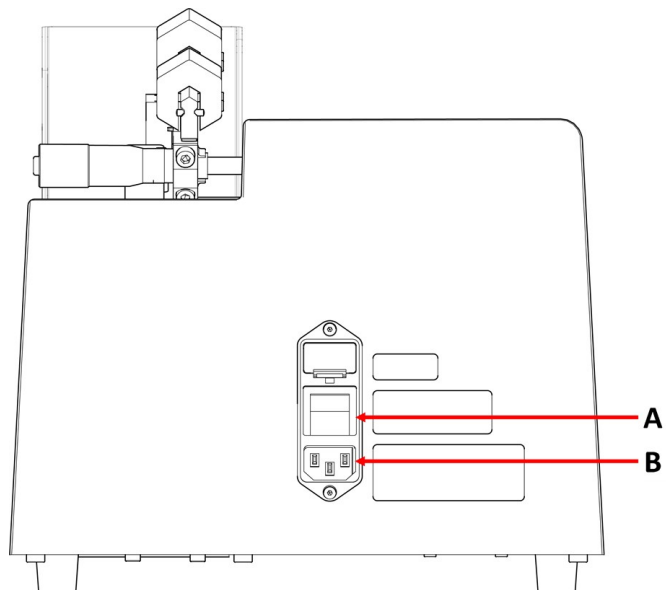
Front view

- A Control panel
- B Shutter for cooling tank
- C Specimen holder arm
- D Micrometer screw
- E Adjustable stop plate
- F Lock (for micrometer screw)
- G Specimen holder
- H Cut-off wheel
- I Nut
- J Flange



Rear view

- A Main switch
- B Power supply



3.3 Accessories and consumables

Accessories

For information about the available range, see the Minitom brochure:

- [The Struers Website](http://www.struers.com) (<http://www.struers.com>)

Consumables

The equipment is designed to be used only with Struers consumables specifically designed for this purpose and this type of machine.

Other products may contain aggressive solvents, which dissolve e.g. rubber seals. The warranty may not cover damaged machine parts (e.g. seals and tubes), where the damage can be directly related to the use of consumables not supplied by Struers.

For information about the available range, see:

- [The Struers Consumables Catalogue](https://www.struers.com) (via <https://www.struers.com>)

4 Transport and storage

If, at any time after the installation, you have to move the unit or place it in storage, there is a number of guidelines we recommend that you follow.

- Package the unit securely before transportation. Insufficient packaging could cause damage to the unit and will void the warranty. Contact Struers Service.
- We recommend that you use the original packaging and fittings.

4.1 Storage



CRUSHING HAZARD

Take care of your fingers when handling the machine.
Wear safety shoes when handling heavy machinery.



Note

We recommend that you keep all original packaging and fittings for future use.

1. Disconnect the unit from the electrical power supply.
2. Remove any accessories.
3. Empty and clean the cooling tank.
4. Clean and dry the unit before storage.
5. Place the machine and accessories in their original packaging.

4.2 Transport



CRUSHING HAZARD

Take care of your fingers when handling the machine.
Wear safety shoes when handling heavy machinery.



Note

We recommend that you keep all original packaging and fittings for future use.

To transport the machine safely, follow these instructions.

Preparing for transport

1. Disconnect the unit from the electrical power supply.
2. Remove any accessories.
3. Empty and clean the cooling tank.
4. Clean and dry the unit.
5. Place the machine and accessories in their original packaging.

5 Installation

5.1 Unpack the machine



CRUSHING HAZARD

Take care of your fingers when handling the machine.
Wear safety shoes when handling heavy machinery.



Note

We recommend that you keep all original packaging and fittings for future use.

1. Cut the packing tape on the top of the box.
2. Remove the loose parts.
3. Remove the unit from the box.

5.2 Lift the machine



CRUSHING HAZARD

Take care of your fingers when handling the machine.
Wear safety shoes when handling heavy machinery.

Weight

Minitom	8 kg (17.5 lbs)
---------	-----------------

At the new location

1. Place the machine on a rigid, stable workbench with a horizontal surface and an adequate height.
2. Make sure that the unit is level and rests securely on the workbench.

5.3 Check the packing list

Optional accessories may be included in the packing box.

The packing box contains the following items:

Pcs.	Description
1	Minitom
1	Specimen holder arm with universal specimen holder
1	Splash guard
1	Set of flanges. Diameter: 65 mm
1	Allen key. 2.5 mm
2	Allen key. 4 mm
2	Hexagonal socket screws M5x40 for mounting large workpieces in the universal specimen holder
2	Electrical power supply cables
1	Instruction Manual set

5.4 Location



CRUSHING HAZARD

Take care of your fingers when handling the machine.
Wear safety shoes when handling heavy machinery.

- Make sure that the following facilities are available:
 - Power supply
 - Illumination: Make sure that the machine is adequately lit up. A minimum of 300 Lumen is recommended to illuminate the controls and other work areas.
- Place the machine on a rigid, stable workbench with a horizontal surface and an adequate height. The workbench must be able to carry at least: 100 kg (220 lb)
- The machine must rest securely with all 4 feet on the table.

5.5 Power supply



WARNING

Switch off the machine, disconnect the electrical power cable and wait 5 minutes before you dismantle the machine or install additional components.




ELECTRICAL HAZARD

Switch off the electrical power supply before installing electrical equipment.
The machine must be earthed (grounded).
Make sure that the actual electrical power supply voltage corresponds to the
Incorrect voltage can damage the electrical circuit.

Power socket

The electrical power supply socket must be easy to access. The electrical power supply socket must be located at a height ranging from 0.6 m to 1.9 m (2½” to 6’) above floor level. Not higher than 1.7 m (5’ 6”) is recommended.

 **Note**
The equipment is shipped with 2 types of electrical power cables. If the plug supplied on these cables is not approved in your country, the plug must be replaced with an approved plug.

Single-phase supply

The 2-pin plug (European Schuko) is for use on single-phase electrical power connections.



The leads must be connected as follows:

Yellow/Green	Earth (ground)
Black/Brown	Line (live)
Blue	Neutral

2-phase supply


The 3-pin plug (North American NEMA) is for use on 2-phase electrical power connections.



The leads must be connected as follows:


Green	Earth (ground)
Black	Line (live)
White	Line (live)

Residual Current Circuit Breaker (RCCB)

 **Note**
Local standards can override the recommendations for the main electrical power supply cable. Always contact a qualified electrician to verify which option is suitable for the local installation setup.

Residual Current Circuit Breaker (RCCB) Type A, 30 mA (or better) is recommended

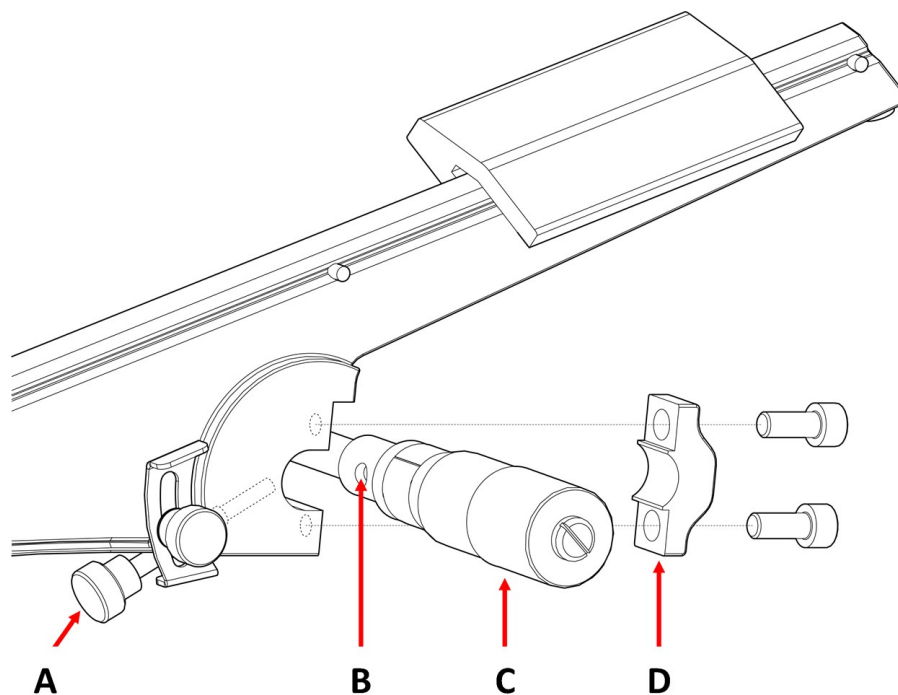
Powering the machine

 **ELECTRICAL HAZARD**
Switch off the electrical power supply before installing electrical equipment. The machine must be earthed (grounded). Make sure that the actual electrical power supply voltage corresponds to the voltage. Incorrect voltage can damage the electrical circuit.

1. Connect the electrical power cable to the machine (IEC 320 connector).
2. Connect the other end of the cable to the electrical power supply socket.



5.6 Mounting the specimen holder arm



- A** Locking screw
B Hole in the micrometer screw
C Micrometer screw
D Fitting
1. Use the 4 mm Allen key to unscrew the fitting on the back of the specimen holder arm.
 2. Place the specimen holder arm on the micrometer screw.
 3. Screw the fitting loosely back onto the back of the specimen holder arm.
 4. Push the specimen holder arm against the shoulder of the micrometer screw.
 5. Keep the specimen holder arm in horizontal position.
 6. Make sure that the locking screw (A) is aligned with the hole in the micrometer screw (B)
 7. Tighten the fitting.

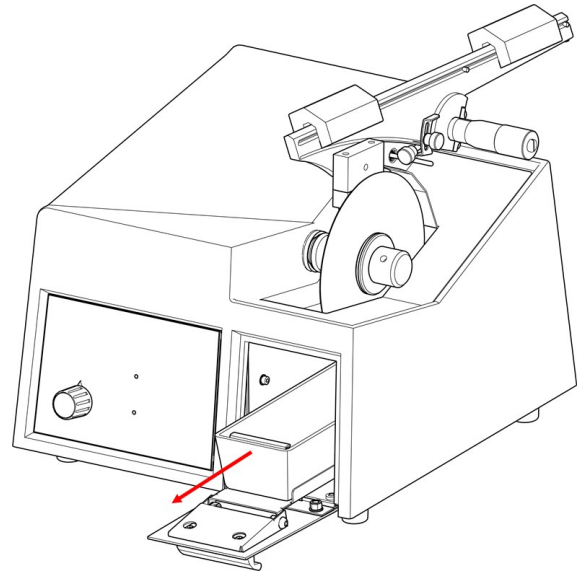
5.7 Filling the cooling tank



CAUTION

The equipment is designed to be used only with Struers consumables specifically designed for this purpose and this type of machine.

1. Pull out the shutter for the cooling tank.
2. Fill the cooling tank with a 235 ml mix of water and 15 ml Struers Cooli Additive.
3. Close the shutter.



5.8 Noise

For information on the sound pressure level value, see this section: [Noise and vibration levels](#) ► 27.



CAUTION

Prolonged exposure to loud noises may cause permanent damage to a person's hearing.

Use hearing protection if the exposure to noise exceeds the levels set by local regulations.

5.9 Vibration

See [Noise and vibration levels](#) ► 27.

6 Operate the device

6.1 Changing the cut-off wheel

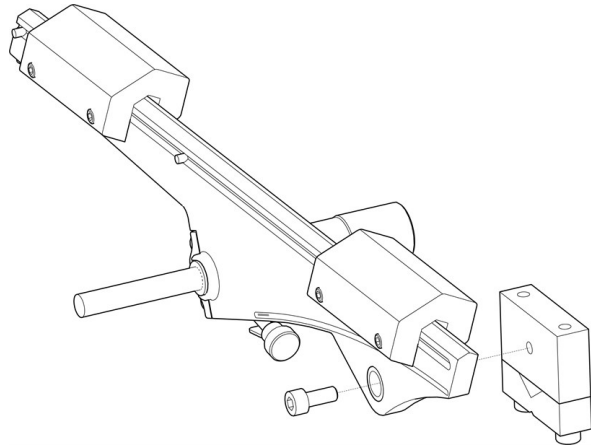
1. Test the cut-off wheel before mounting.
2. Remove the grid plate.
3. Unscrew the nut.
4. Remove the cut-off wheel and the flanges.

5. Mount the new cut-off wheel between the two flanges.
6. Screw on the nut. Tighten it gently.
7. Place the grid plate in its original position.

6.2 Changing the specimen holder

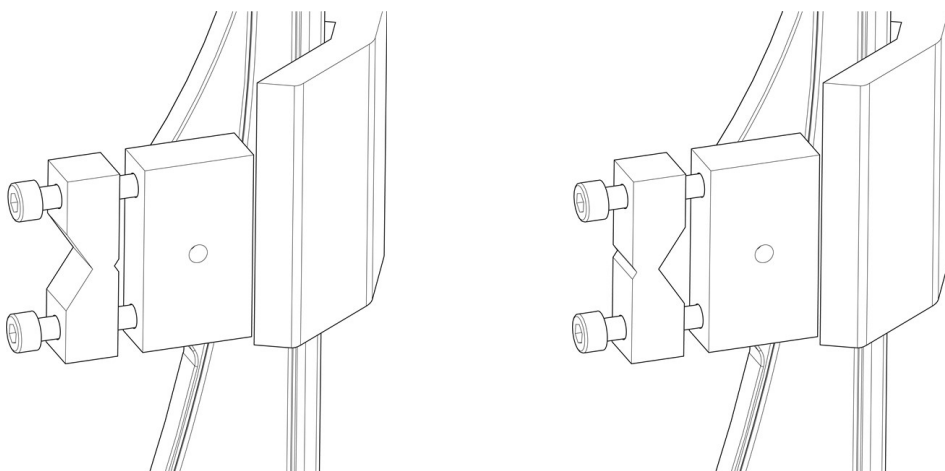
Make sure that the cut-off wheel can cut through the specimen without the flanges coming into contact with the specimen holder. The specimen must protrude at least 6 mm from the specimen holder.

1. Use a 4 mm Allen key to unscrew the specimen holder.
2. Remove the specimen holder.
3. Use a screw to position the new specimen holder on the specimen holder arm.
4. Use a 4 mm Allen key to tighten the screw.



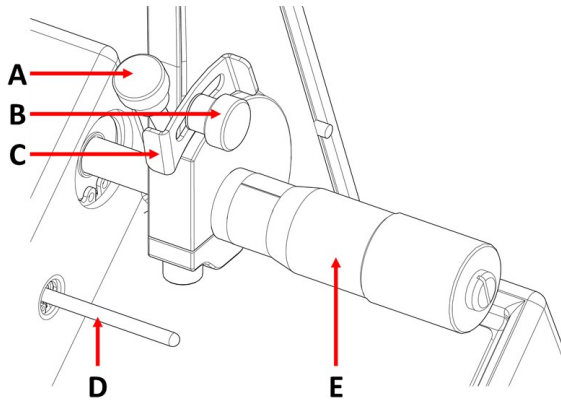
6.3 Clamping the specimen

- Use a 4 mm Allen key to fasten the specimen in the specimen holder. It must be fastened tightly to prevent vibrations during cutting.
- For a round specimen, flip the specimen holder allowing the large notch to secure it.

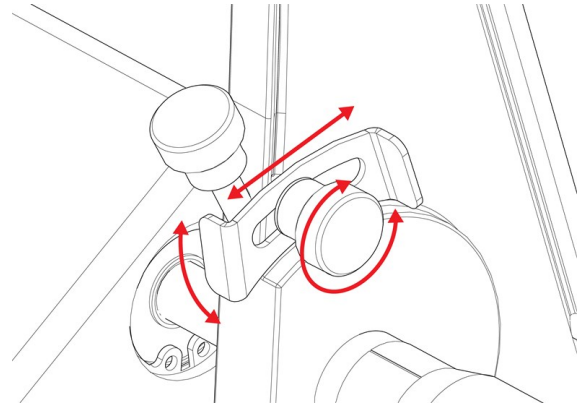


6.4 Mechanical settings

Stop position



- A Locking screw - micrometer
- B Locking screw - stop plate
- C Stop plate
- D Stop pin
- E Micrometer screw



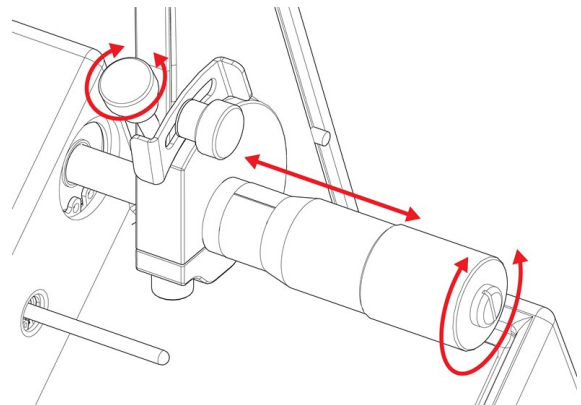
Adjust the stop plate up or down so that the process stops when the specimen has been cut through.

Adjust the stop plate position:

1. Loosen the locking screw.
2. Move the stop plate until it rests on the stop pin.
3. Tighten the locking screw.

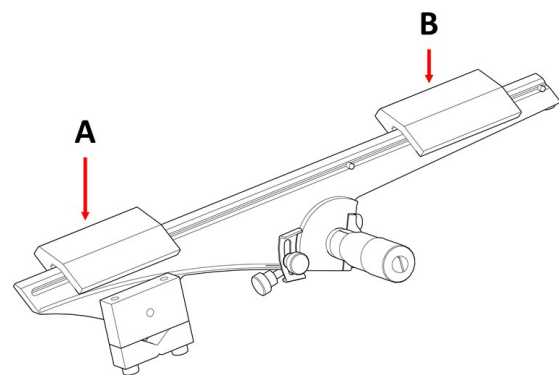
Specimen holder position

1. Loosen the micrometer locking screw.
2. Adjust the position of the cut by turning the micrometer screw.
3. When the position has been adjusted, turn the lock clockwise to lock the screw.



Cutting pressure

1. Push the weights of the specimen holder arm towards the rear.
2. Adjust the rear weight so that the arm with the specimen holder and the specimen are horizontal and in balance.
3. Adjust the cutting pressure with the front weight.
4. Tilt the arm carefully back to a vertical position.



A Front weight

B Rear weight

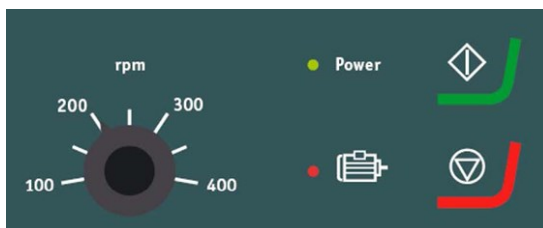
6.5 Basic operation








CAUTION

This machine must be operated and maintained only by skilled/trained personnel.

6.5.1 Control panel functions



Button/LED	Function
	Cutting speed control
	Lit when the main switch is turned on.
	Red warning lamp indicates motor overload. When the warning lamp is lit the machine cannot be started.

Button/LED	Function
	<p>Start</p> <p>Starts the machine. The cut-off wheel starts rotating.</p> <p>You cannot activate this function if the cutting motor is overloaded.</p>
	<p>Stop</p> <p>Stops the machine. The cut-off wheel stops rotating.</p>

6.5.2 Starting the cutting process



WARNING

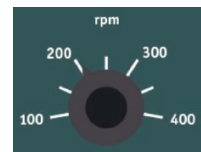
The machine must not be used for any type of explosive and/or flammable material, or materials which are not stable during machining, heating or pressure.



CAUTION

The cut-off wheel is not covered. Keep hands away from the cut-off wheel during cutting. Take care that clothing and/or hair cannot be caught by the rotating parts.

1. Mount the splash guard.
2. Switch on the machine.
3. On the control box, set the cutting speed to the lowest speed.
4. Press Start.
5. Move the specimen holder arm slowly down towards the cut-off wheel.
6. Adjust the speed of the cut-off wheel.



Note

For 127 mm (5") cut-off wheels the speed should not exceed 300 rpm.



Note

Reduce the speed if the specimen moves up and down or the cut-off wheel vibrates when cutting.

6.5.3 Stopping the cutting process

You can stop the cutting process at any time during the cutting process.



Note

The cut-off wheel may stop rotating if the speed is set to the lowest level. Do not use this function to stop the cutting process.

- Press Stop to stop the cut-off wheel.



7 Maintenance and service - Minitom

Proper maintenance is required to achieve the maximum up-time and operating lifetime of the machine. Maintenance is important in ensuring continued safe operation of your machine.

The maintenance procedures described in this section must be carried out by skilled or trained personnel.

Technical questions and spare parts

If you have technical questions or when you order spare parts, state serial number and voltage/frequency. The serial number and the voltage are stated on the type plate of the machine.



CAUTION

This machine must be operated and maintained only by skilled/trained personnel.

7.1 Daily

To ensure a longer lifetime for your machine, we strongly recommends regular cleaning.

7.1.1 General cleaning

Clean all accessible surfaces with a soft, damp cloth.

Grease and oil can be removed with ethanol or isopropanol.



Note

Do not use a dry cloth as the surfaces are not scratch resistant.



Note

Do not use acetone, benzol or similar solvents.

The micrometer screw is a precision tool. Clean the micrometer screw daily from cutting waste and coat it with a thin layer of acid-free oil.

7.1.2 Clean the cutting area

1. Remove cutting debris and swarf from the grid plate.

2. Clean all accessible surfaces with a soft, damp cloth.

If the machine is not to be used for a longer period of time

- Thoroughly clean the machine, and in particular the cutting area.

7.1.3 Clean the cooling tank

1. Empty the grit plate in the cooling tank.
2. Refill/replace the cooling water if needed.

7.2 Weekly

7.2.1 The cut-off wheel spindle and bushing

Lubricate the spindle and bushing where the cut-off wheel is mounted with acid-free oil once a week.

7.3 Monthly

7.3.1 Specimen holder arm

- Keep all specimen holder screws clean. Lubricate the specimen holder screws with acid-free oil at regular intervals.
- If the weights slide too easily or too tightly on the specimen holder arm, use the screws on the left side of the weights to adjust the movement.

7.3.2 General cleaning

- If needed, adjust and lubricate the shutter and platform with acid-free oil.

7.4 Cut-off wheel

Storing cut-off wheels

A clean and dry cut-off wheel does not corrode.

Use ordinary household detergents.

1. Make sure that the cut-off wheel is clean and dry.
2. Store the cut-off wheel in a horizontal position on a plane surface, preferably under light pressure.

Dressing cut-off wheels

A newly dressed cut-off wheel will give an optimum cut. A badly dressed cut-off wheel is the most frequent reason for damage to the cut-off wheel.

A badly maintained and dressed cut-off wheel requires higher cutting pressure, which results in more frictional heat. The wheel can bend and cause an irregular cut. This can damage the cut-off wheel.

Procedure

1. Make sure that there is enough cooling fluid in the cooling tank. See [Filling the cooling tank](#) ► 16.
2. Clamp the dressing stick in the specimen holder: If available, use the double parallel vice to hold the dressing stick more securely.
3. Let the cut-off wheel rotate at minimum speed.
4. Cut the dressing stick like a regular specimen.

**Note**

Never dress the cut-off wheel manually, as a slight twisting of the dressing stick can damage the thin cut-off wheels.

Testing diamond/CBN cut-off wheels

Cut-off wheels must be tested before use.

To test a diamond/CBN cut-off wheel, perform a ring test.

1. Let the cut-off wheel hang over your index finger.
2. With a pencil (not metal), gently tap the cut-off wheel around the edge.
3. The cut-off wheel passes the test if it gives a clear metallic tone when tapped. If the cut-off wheel sounds dull or muted, it is cracked and unsafe to use and must be replaced.

8 Spare parts

Technical questions and spare parts

If you have technical questions or when you order spare parts, state the serial number. The serial number is stated on the type plate of the unit.

For further information, or to check the availability of spare parts, contact Struers Service. Contact information is available on Struers.com.

**Note**

Replacement of safety critical components must only be performed by a Struers engineer or a qualified technician (electromechanical, electronic, mechanical, pneumatic, etc.).

**Note**

Safety critical components must only be replaced by components with at least the same safety level.

9 Service and repair

We recommend that a regular service check be carried out yearly or after every 1500 hours of use.

When the machine is started up, the display shows information about total operation time and the machines service information.

After 1500 hours of operation time, the display will show a message reminding the user that a service check should be scheduled.



Note

Service must only be performed by a qualified technician (electromechanical, electronic, mechanical, pneumatic, etc.).
Contact Struers Service.

10 Disposal



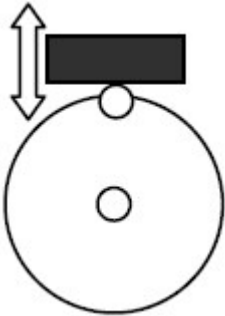
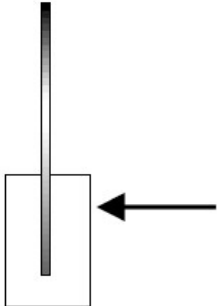
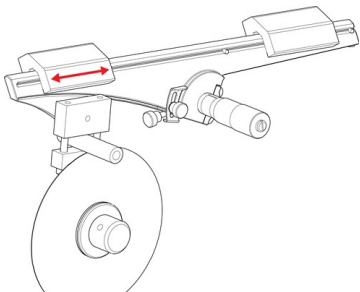
Equipment marked with a WEEE symbol contains electrical and electronic components and must not be disposed of as general waste.

Contact your local authorities for information on the correct method of disposal in accordance with national legislation.

For disposal of consumables and recirculation fluid, follow local regulations.

11 Troubleshooting

11.1 Cutting problems

Error	Cause	Action
Vibrations.	The diamond layer is worn down to the level of the metal disc.	Replace the cut-off wheel with a new cut-off wheel.
The workpiece moves radically up and down when cutting.	The cut off-wheel is worn and therefore less round.	Reduce the speed until cutting is steady. Failure to do so can damage the cut-off wheel.
		
	The workpiece forces the cut-off wheel to the side when cutting. Heavy friction causes vibrations.	Reduce the cutting force.
	The cutting arm is not balanced.	Balance the cutting arm and use sufficient force on F1.
	Incorrect cut-off wheel.	Choose the correct cut-off wheel. See Accessories and consumables ► 10
	The cut-off wheel needs dressing.	Dress the cut-off wheel.

12 Technical data

12.1 Technical data

Capacity	Height x Length	30 x 40 mm (1.2" x 1.6")
	Diameter	40 mm (1.6")
	Maximum cutting force	0.34 N
Cut-off wheel	Diameter	100-127 mm (4"-5")
	Arbor diameter	12.7 mm (0.5")
Cut-off wheel motor	Rotational speed	100-420 rpm
Recirculation cooling tank	Volume	250 ml (0.07 gal)
Software and electronics	Controls	Touch pad
	Display	N/A
Safety standards	See the Declaration of Conformity	
REACH	For information about REACH, contact your local Struers office.	
Operating environment	Surrounding temperature	5-40 °C (41 - 131 °F)
	Humidity	< 95 % RH non-condensing
	Noise level	L(Pa)=58 dBa(A)
Power supply	Voltage/frequency	100-250 AVC 50-60 Hz
	Power inlet	1L + (N) + PE
	Power S1	N/A
	Current, nominal load	3.2 A
	Current, max.	4.8 A
	Ampere rating of the largest motor or load	N/A

Dimensions and weight	Width	27.5 cm (10.8")
	Depth (main body)	28 cm (11")
	Depth (with handle)	41 cm (16")
	Height (main body)	20.5 cm (8.1")
	Height (with handle)	25.6 cm (10.1")
	Weight	8 kg (17.6 lbs)

12.2 Noise and vibration levels

Noise level	A-weighted sound emission pressure level at workstations	$L_{pA} = 58 \text{ dB(A)}$ (measured value) Uncertainty $K = 4 \text{ dB}$ Measurements made in accordance with EN ISO 11202
--------------------	--	---

Vibration level	N/A
------------------------	-----

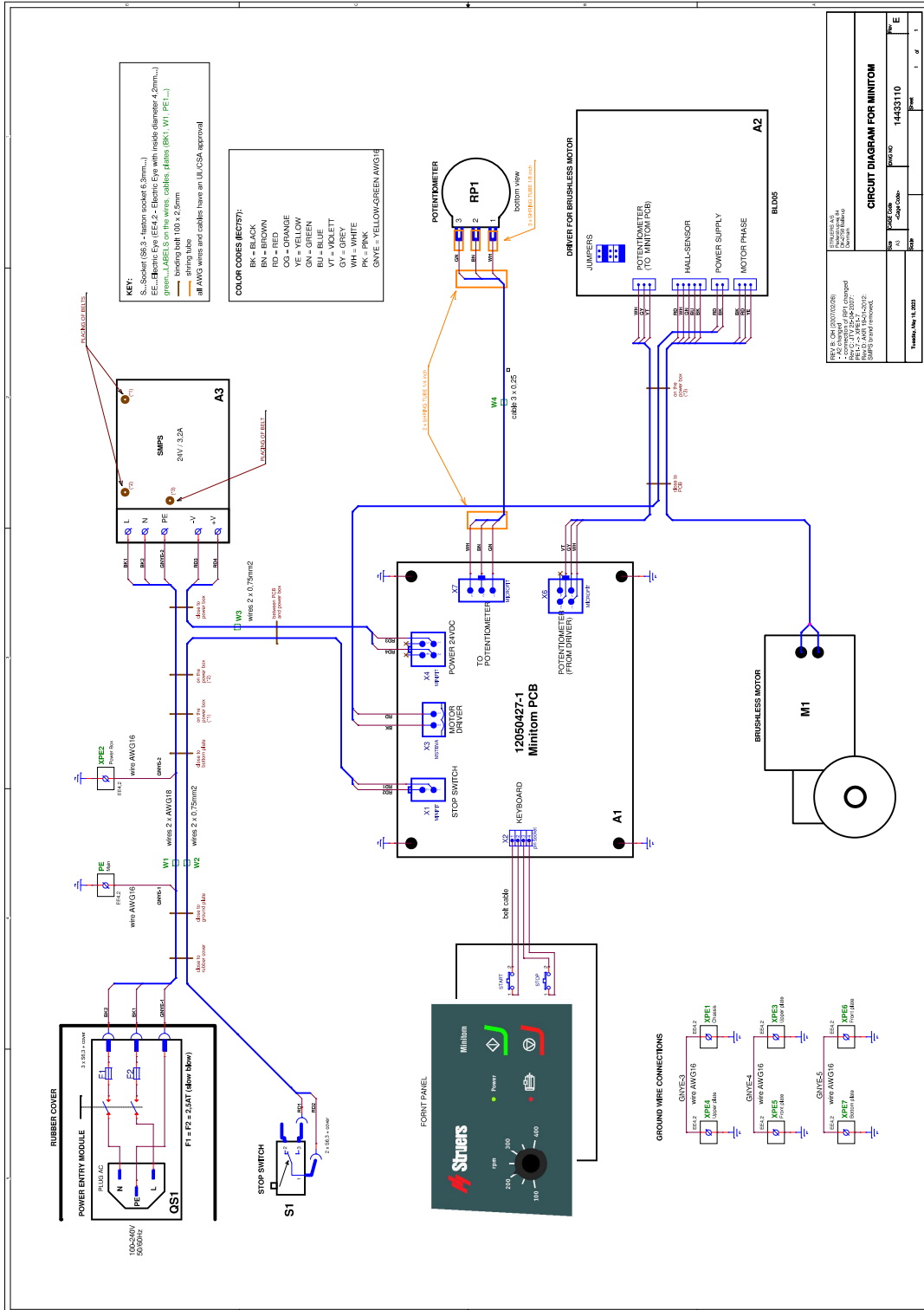
12.3 Diagrams

If you wish to view specific information in detail, see the online version of this manual.

12.3.1 Diagrams - Minitom

Title Minitom	No.
Circuit diagram	14433110 E ▶ 28

14433110 E



12.4 Legal and regulatory information

FCC notice

This equipment has been tested and found to comply with the limits for a Class B digital device, pursuant to part 15 of the FCC Rules. These limits are designed to provide reasonable protection against harmful interference in a residential installation. This equipment generates, uses and can radiate radio frequency energy and, if not installed and used in accordance with the instructions, may cause harmful interference to radio communications. However, there is no guarantee that interference will not occur in a particular installation. If this equipment does cause harmful interference to radio or television reception, which can be determined by turning the equipment off and on, the user is encouraged to try to correct the interference by one or more of the following measures:

- Reorient or relocate the receiving antenna.
- Increase the separation between the equipment and receiver.
- Connect the equipment into an outlet on a circuit different from that to which the receiver is connected.

13 Manufacturer

Struers ApS
Pederstrupvej 84
DK-2750 Ballerup, Denmark
Telephone: +45 44 600 800
Fax: +45 44 600 801
www.struers.com

Responsibility of the manufacturer

The following restrictions should be observed, as violation of the restrictions may cause cancellation of Struers legal obligations.

The manufacturer assumes no responsibility for errors in the text and/or illustrations in this manual. The information in this manual is subject to change without notice. The manual may mention accessories or parts not included in the supplied version of the equipment.

The manufacturer is to be considered responsible for effects on safety, reliability, and performance of the equipment only if the equipment is used, serviced, and maintained in accordance with the instructions for use.

Declaration of Conformity

Manufacturer	Struers ApS • Pederstrupvej 84 • DK-2750 Ballerup • Denmark
Name	Minitom
Model	N/A
Function	Cut-off machine
Type	443
Cat. no.	04436216
Serial no.	



Module H, according to global approach



We declare that the product mentioned is in conformity with the following legislation, directives and standards:

2006/42/EC	EN ISO 12100:2010, EN 60204-1:2018, EN 60204-1-2018/Corr.:2020
2011/65/EU	EN 63000:2018
2014/30/EU	EN 61000-3-2:2014, EN 61000-3-3:2013, EN 61000-6-1:2007, EN 61000-6-2:2005, EN 61000-6-2:2005/Corr.:2005, EN 61000-6-3:2007, EN 61000-6-3-A1:2011, EN 61000-6-3-A1-AC:2012
Additional standards	NFPA 79, FCC 47 CFR Part 15 Subpart B

Authorized to compile technical file/
Authorized signatory

Date: [Release date]

en For translations see
bg За преводи вижте
cs Překlady viz
da Se oversættelser på
de Übersetzungen finden Sie unter
el Για μεταφράσεις, ανατρέξτε στη διεύθυνση
es Para ver las traducciones consulte
et Tõlked leiate aadressilt
fi Katso käännökset osoitteesta
fr Pour les traductions, voir
hr Za prijevode idite na
hu A fordítások itt érhetőek el
it Per le traduzioni consultare
ja 翻訳については、
lt Vertimai patalpinti
lv Tulkojumus skatīt
nl Voor vertalingen zie
no For oversettelser se
pl Aby znaleźć tłumaczenia, sprawdź
pt Consulte as traduções disponíveis em
ro Pentru traduceri, consultați
se För översättningar besök
sk Preklady sú dostupné na stránke
sl Za prevode si oglejte
tr Çeviriler için bkz
zh 翻译见

www.struers.com/Library